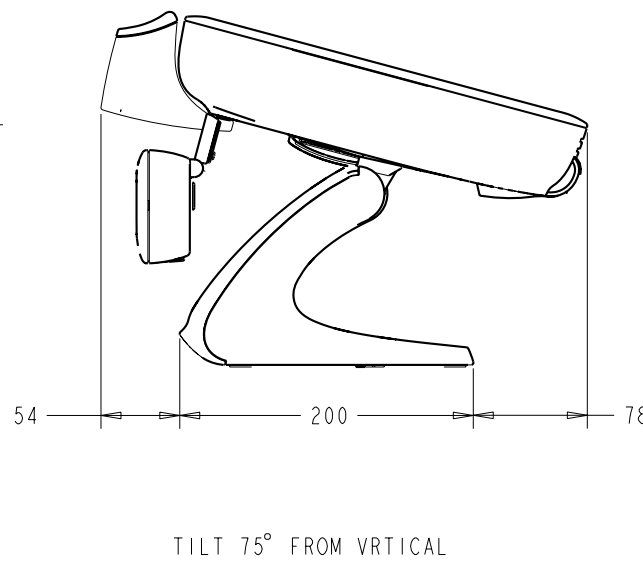


FIGURE 1: SHORT BASE MOUNTING PATTERN



- FIGURE 2: TILT LOCK OPERATION**
1. PIVOT DISPLAY TO DESIRED ANGLE.
  2. ROTATE KNOB ~1 TURN CLOCKWISE TO LOCK.
  3. ROTATE KNOB ~1 TURN COUNTER-CLOCKWISE TO UN-LOCK.

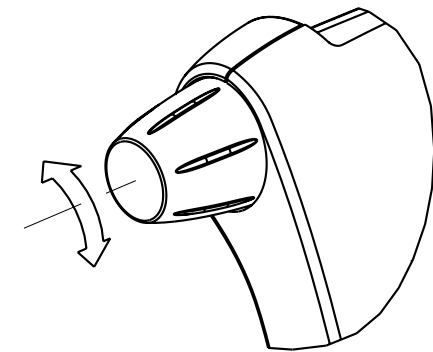
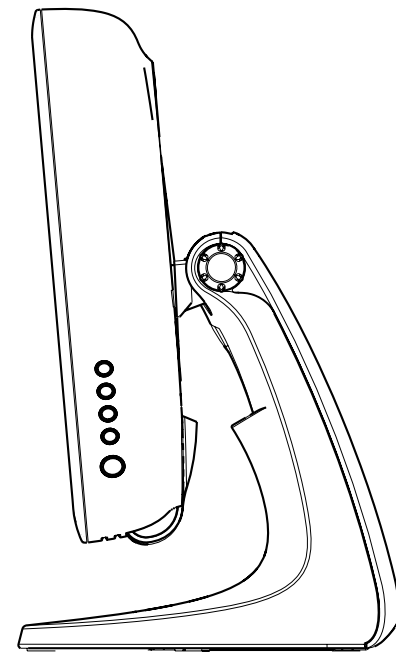
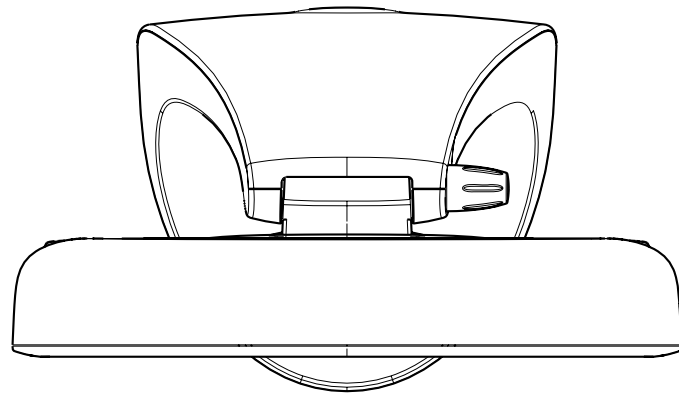
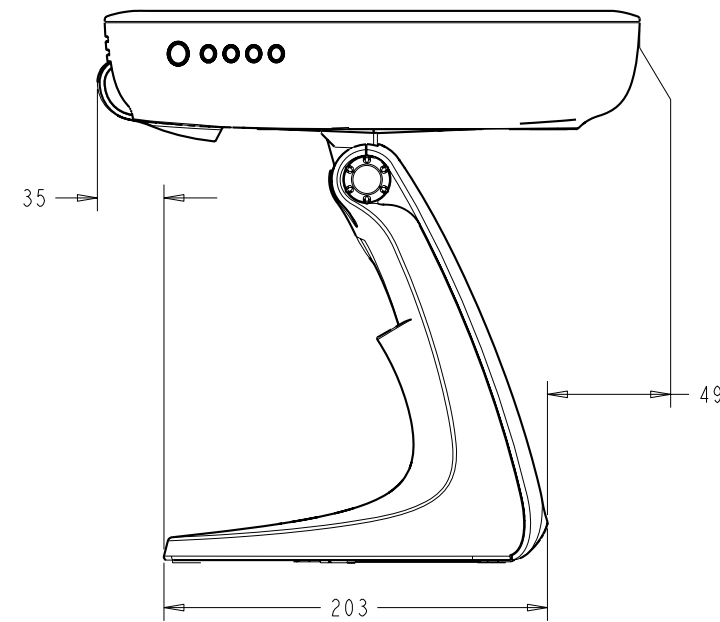


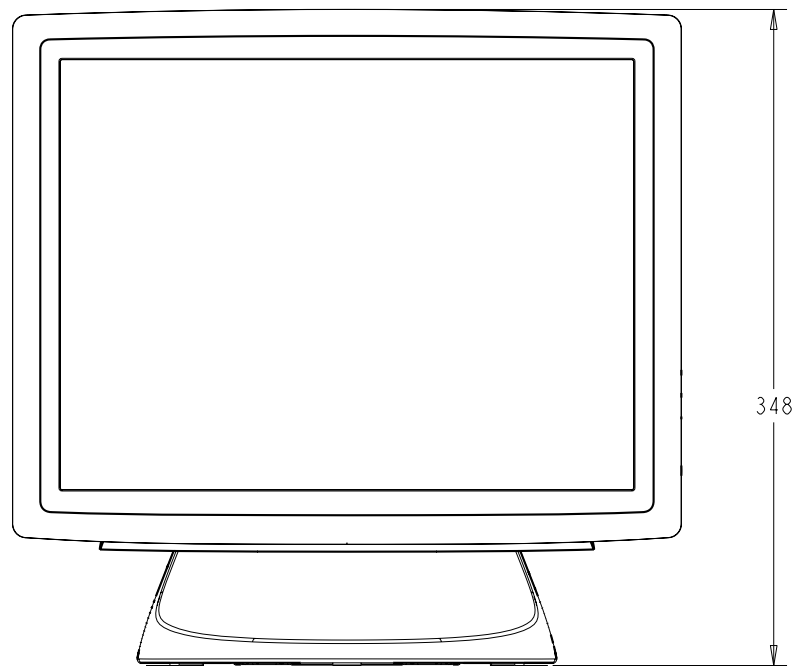
FIGURE 3: TALL STAND



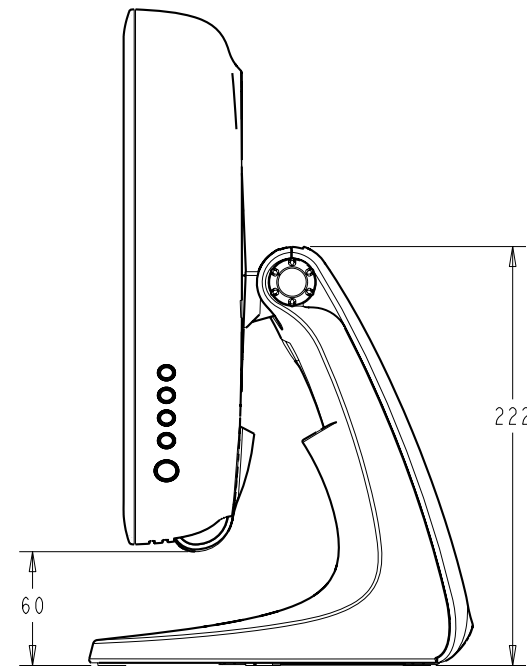
TILT: -5° FROM VERT.



TILT: 90° FROM VERT.

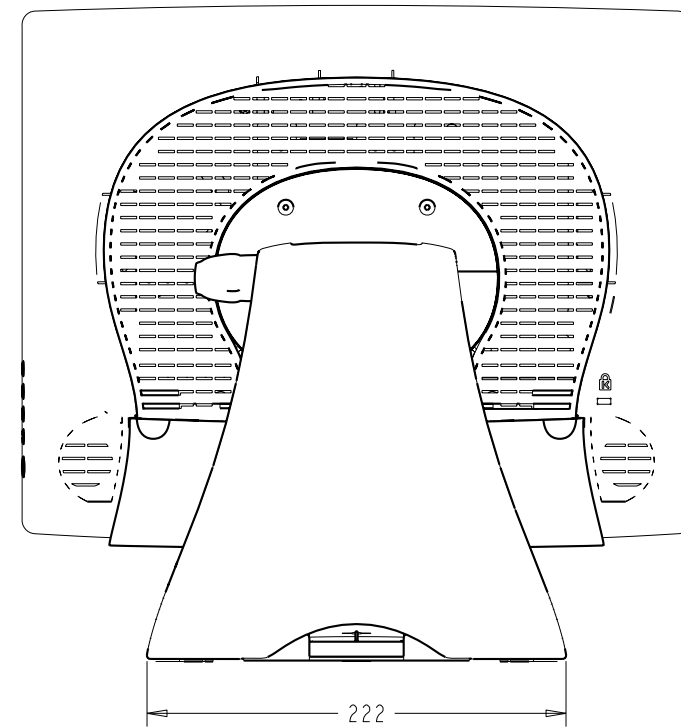


348



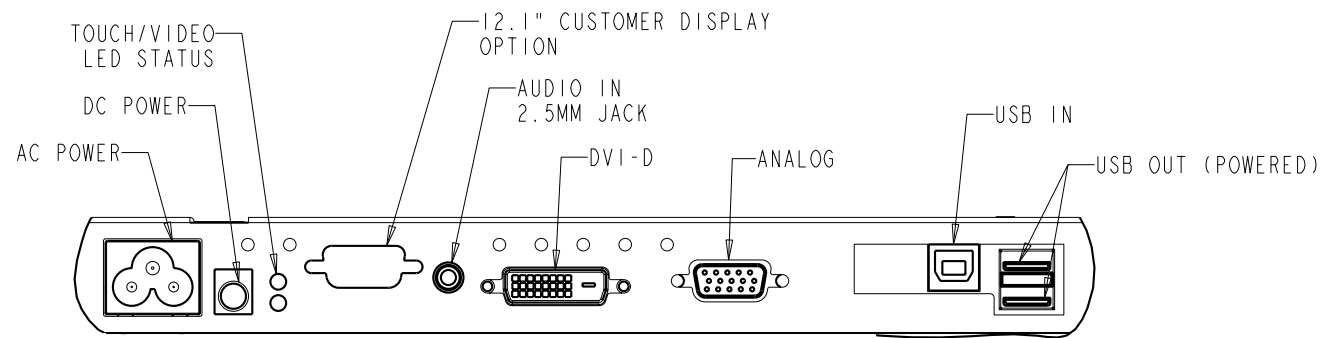
60

222

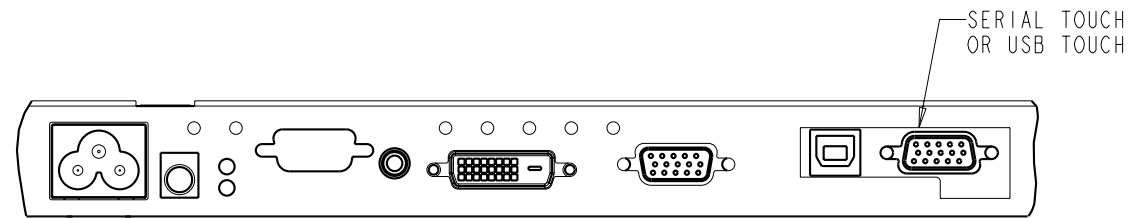


222

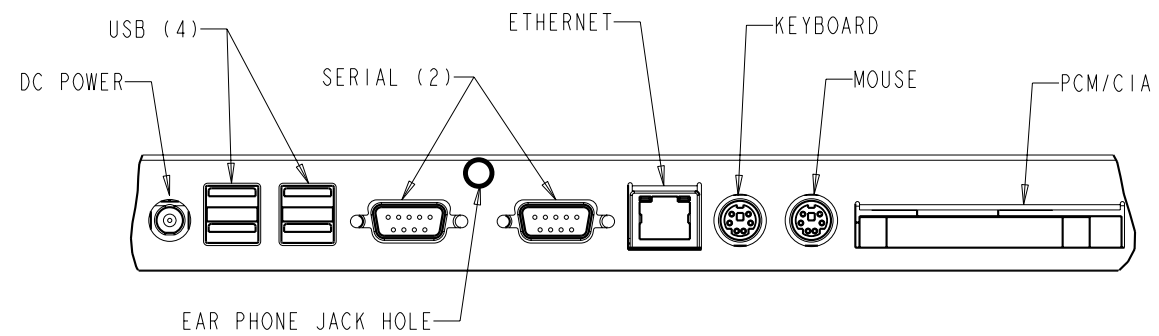
**FIGURE 4: TOUCH PLUS ANY ACCESSORIES**



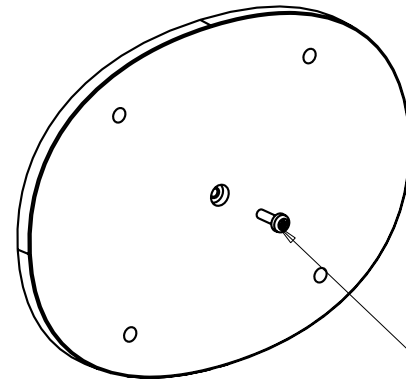
**FIGURE 5: TOUCH ONLY**



**FIGURE 6: TOUCHCOMPUTER**

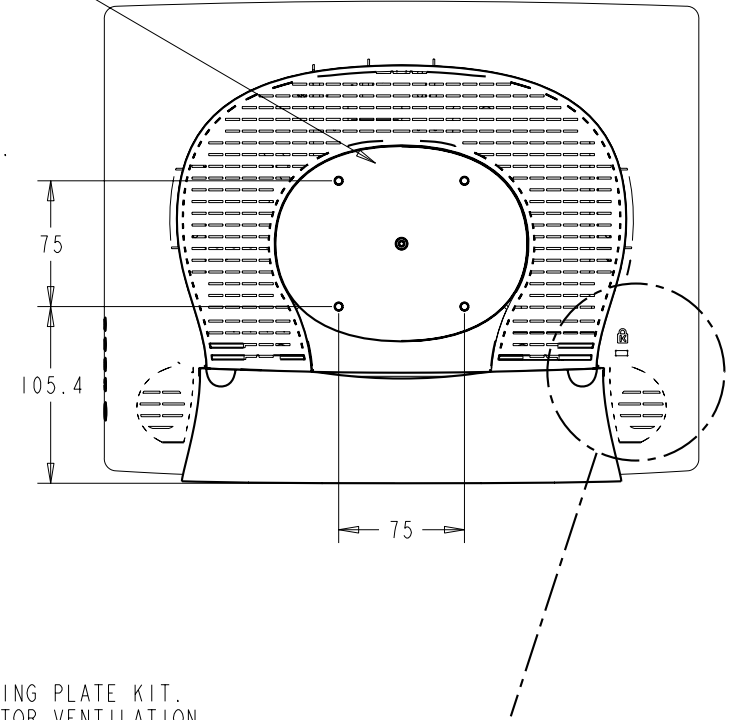


**FIGURE 7: VESA PLATE (PIP# E310429 WITH 4 M4X16 CROSS, RECESSED PAN HEAD WITH CAPTURED WASHER.**

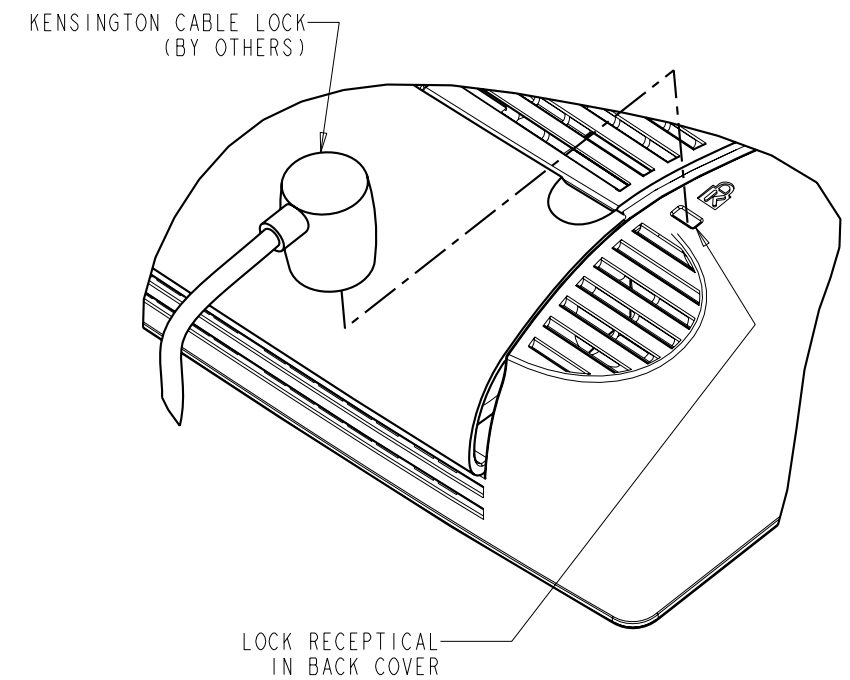


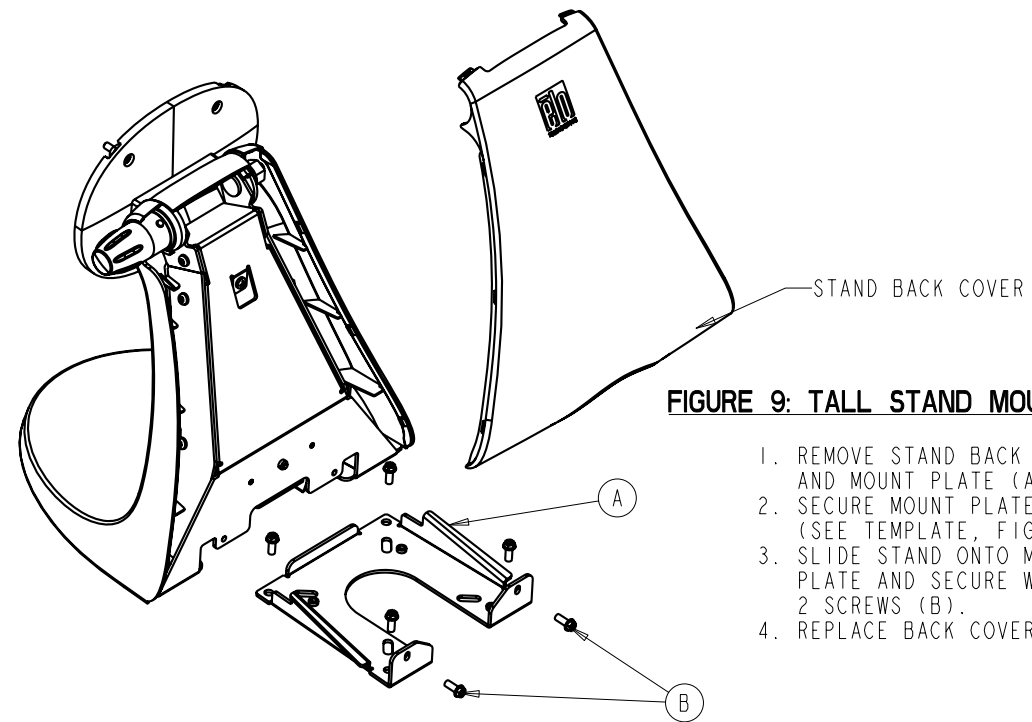
REMOVE STAND AND INSTALL PLATE TO ALLOW MOUNTING SURFACE TO BE FLUSH WITH THE BACK COVER.

REMOVE STAND AND INSTALL PLATE TO ALLOW MOUNTING SURFACE TO BE FLUSH WITH THE BACK COVER USING M3X10 PAN HEAD SCREW PROVIDED IN THE VESA MOUNTING PLATE KIT. WARNING: DO NOT BLOCK MONITOR VENTILATION.



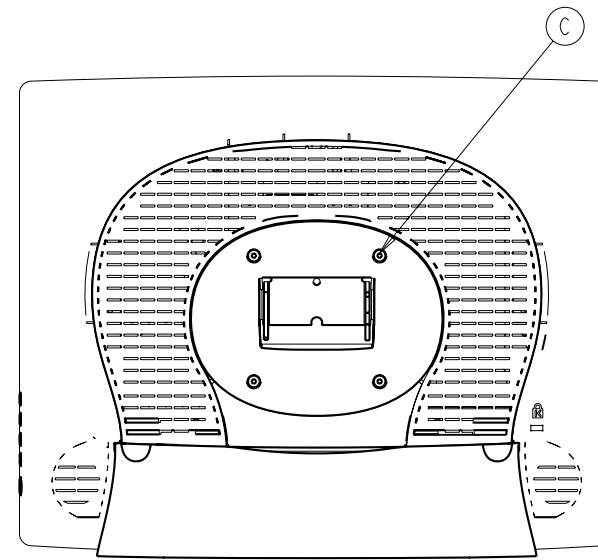
**FIGURE 8: KENSINGTON LOCK DETAIL**





**FIGURE 9: TALL STAND MOUNT OPTION**

1. REMOVE STAND BACK COVER AND MOUNT PLATE (A).
2. SECURE MOUNT PLATE TO SURFACE. (SEE TEMPLATE, FIG. 10)
3. SLIDE STAND ONTO MOUNTING PLATE AND SECURE WITH 2 SCREWS (B).
4. REPLACE BACK COVER.

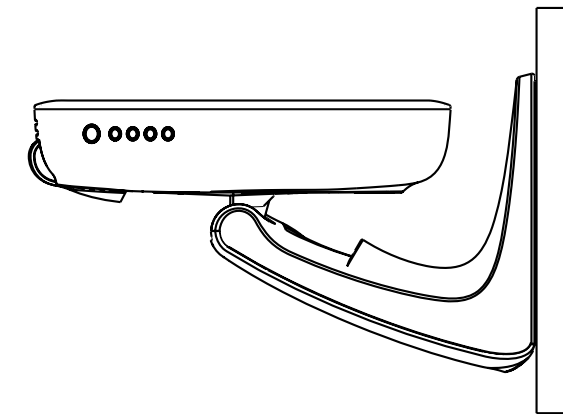
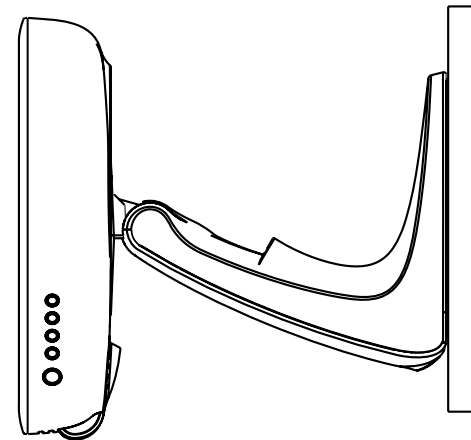


**MOUNTING TO A WALL:**

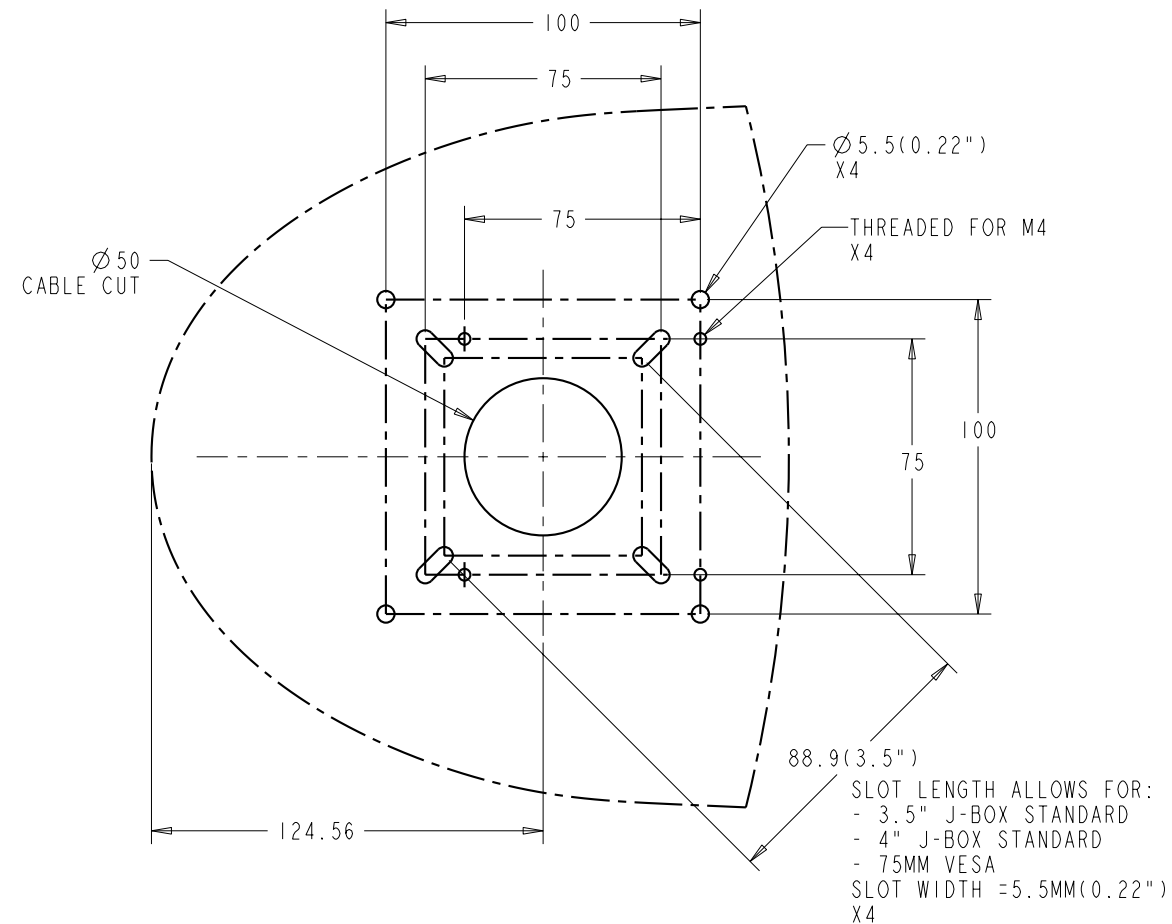
1. REMOVE THE FOUR SCREWS (C) IN ORDER TO SEPARATE THE STAND FROM THE MONITOR.
2. ROTATE THE MONITOR 180° (SO MONITOR WILL NOT BE UPSIDE DOWN WHEN MOUNTED IN THE POSITION SHOWN).
3. REINSTALL THE FOUR SCREWS (C).
4. ROUTE CABLES THROUGH CUTOUT (IF APPLICABLE) AND MOUNT MONITOR TO WALL USING THE TEMPLATES PROVIDED.

**FIGURE 11: TALL STAND WALL MOUNT**

SEE FIG. 9 AND TEMPLATE FIG.10 FOR FRONT MOUNT OPTION.  
SEE TEMPLATE FIG.10 FOR REAR MOUNT OPTION.



**FIGURE 10: TALL STAND MOUNT TEMPLATE**



**FIGURE 12: SHORT STAND WALL MOUNT**

SEE FIGURE 1, PG. 1 FOR WALL MOUNT TEMPLATE

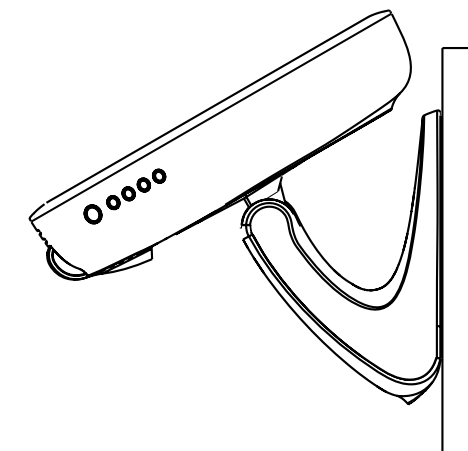
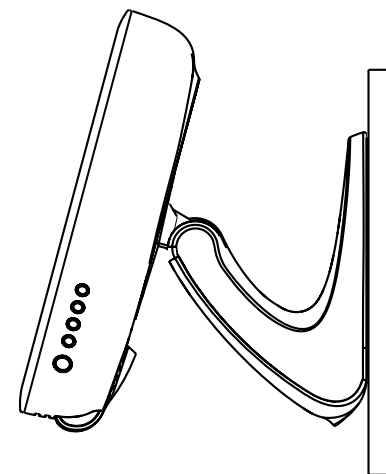


FIGURE 13: 12.1" CUSTOMER DISPLAY OPTION

- NOTE:  
1. VIDEO SOURCE IS SECOND  
VGA CONNECTION (SEE FIG.4).  
2. AVAILABLE WITH TOUCH AND  
WITHOUT TOUCH IS VIA USB (HUB).

