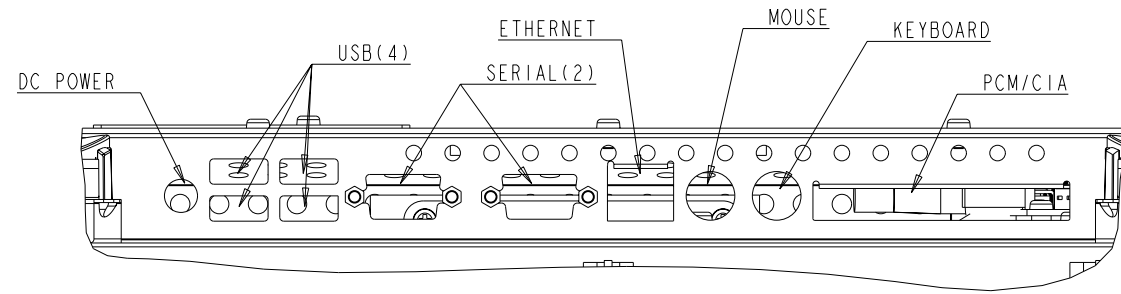
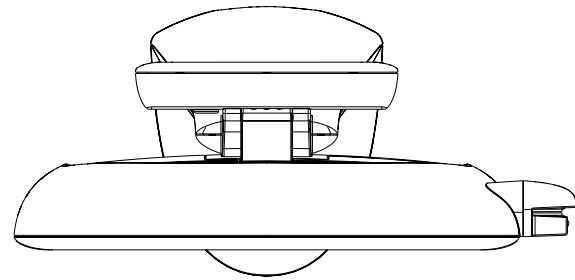


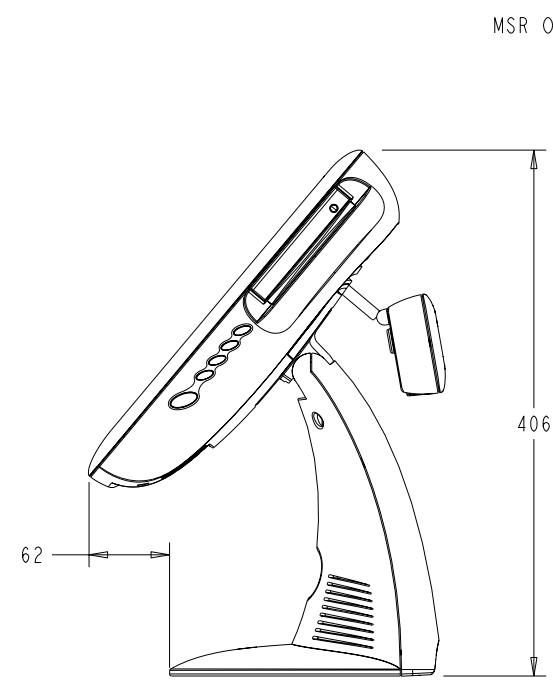
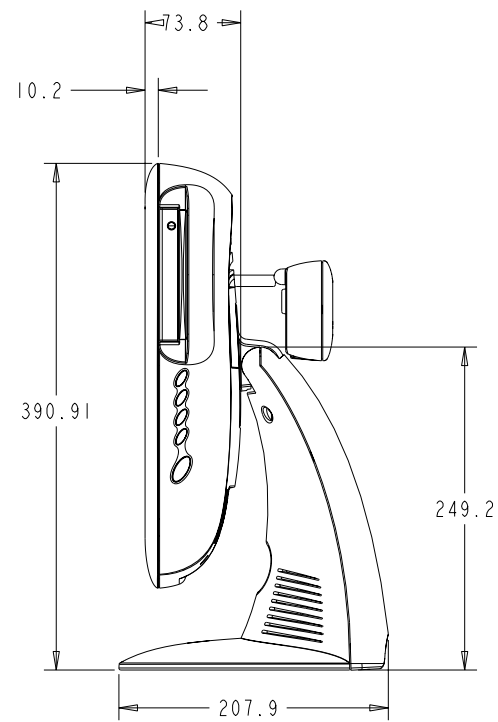
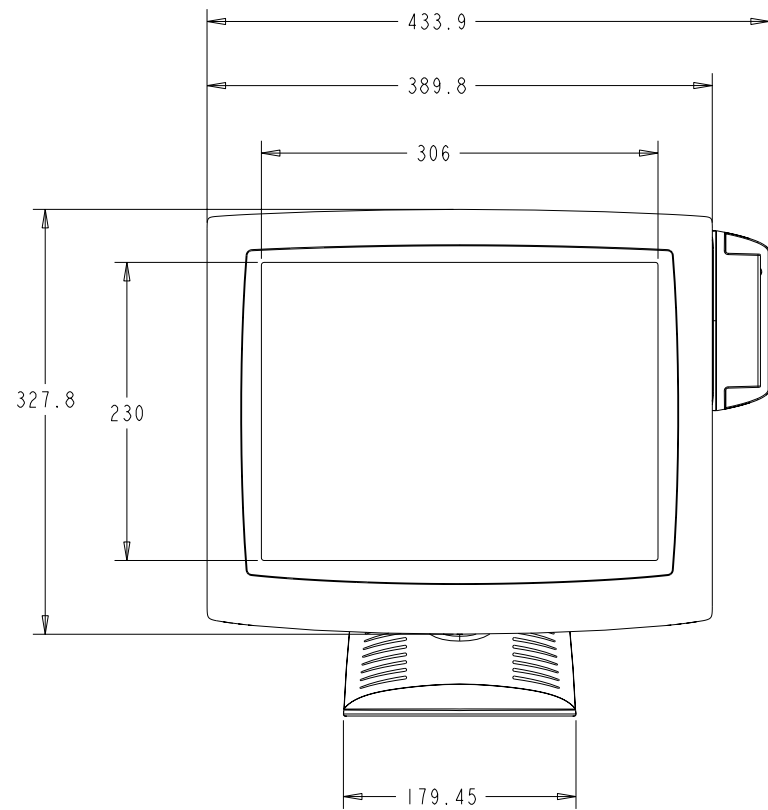
ESY1525L SERIES



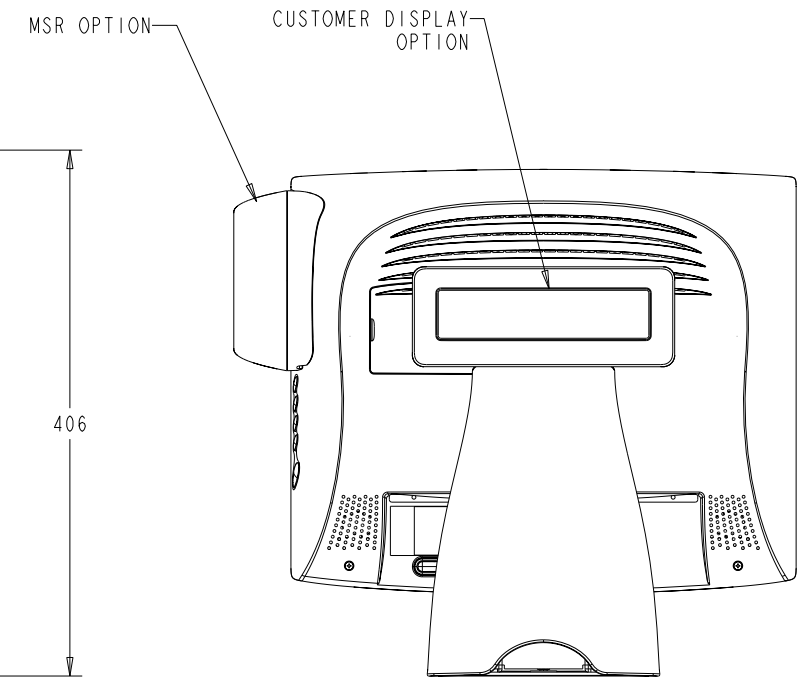
SCALE 1.000

CONNECTOR PANEL

PART NUMBER	DESCRIPTION
E08919-000	ESY1525L-7UWA-1-CE
F00839-000	ESY1525L-7UWA-1-CE-C1
C63175-000	ESY1525L-8UWA-1-CE
E73369-000	ESY1525L-8UWA-1-CE-M3
E36798-000	ESY1525L-8UWA-1-CE-C1
A78783-000	ESY1525L-8UWA-1-CE-M3C1
C32392-000	ESY1525L-7UWA-1-XP
A82367-000	ESY1525L-7UWA-1-XP-C1
D37281-000	ESY1525L-8UWA-1-XP
D58125-000	ESY1525L-8UWA-1-XP-M2
D61906-000	ESY1525L-8UWA-1-XP-M3
C94408-000	ESY1525L-8UWA-1-XP-M2C1
E21843-000	ESY1525L-8UWA-1-XP-M3C1
F95046-000	ESY1525L-7UWA-1-2K
A88088-000	ESY1525L-7UWA-1-2K-C1
C04515-000	ESY1525L-8UWA-1-2K
F84197-000	ESY1525L-8UWA-1-2K-M2
C48832-000	ESY1525L-8UWA-1-2K-M3
A84590-000	ESY1525L-8UWA-1-2K-M2C1
F83851-000	ESY1525L-8UWA-1-2K-M3C1

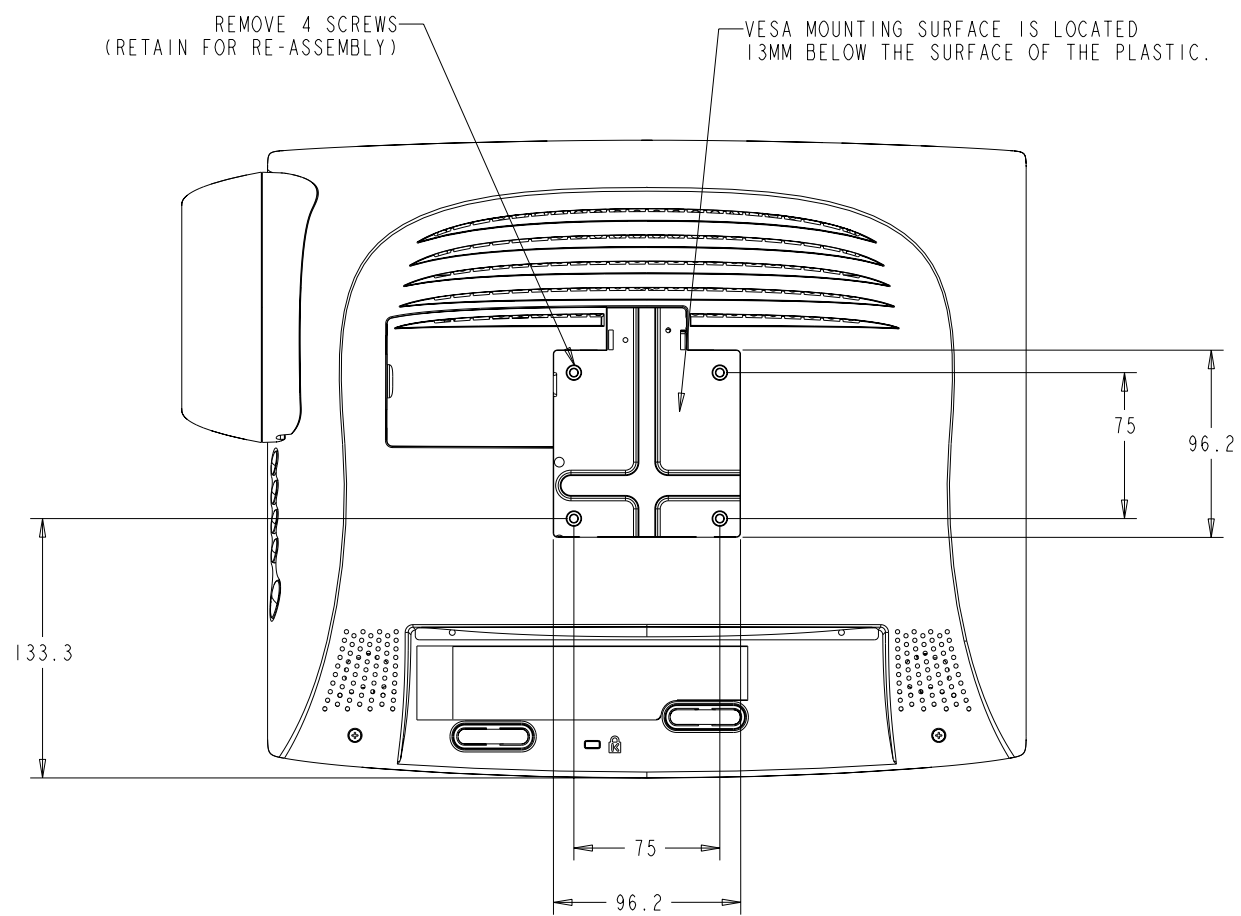


AFT TILT - 40° FROM VERTICAL

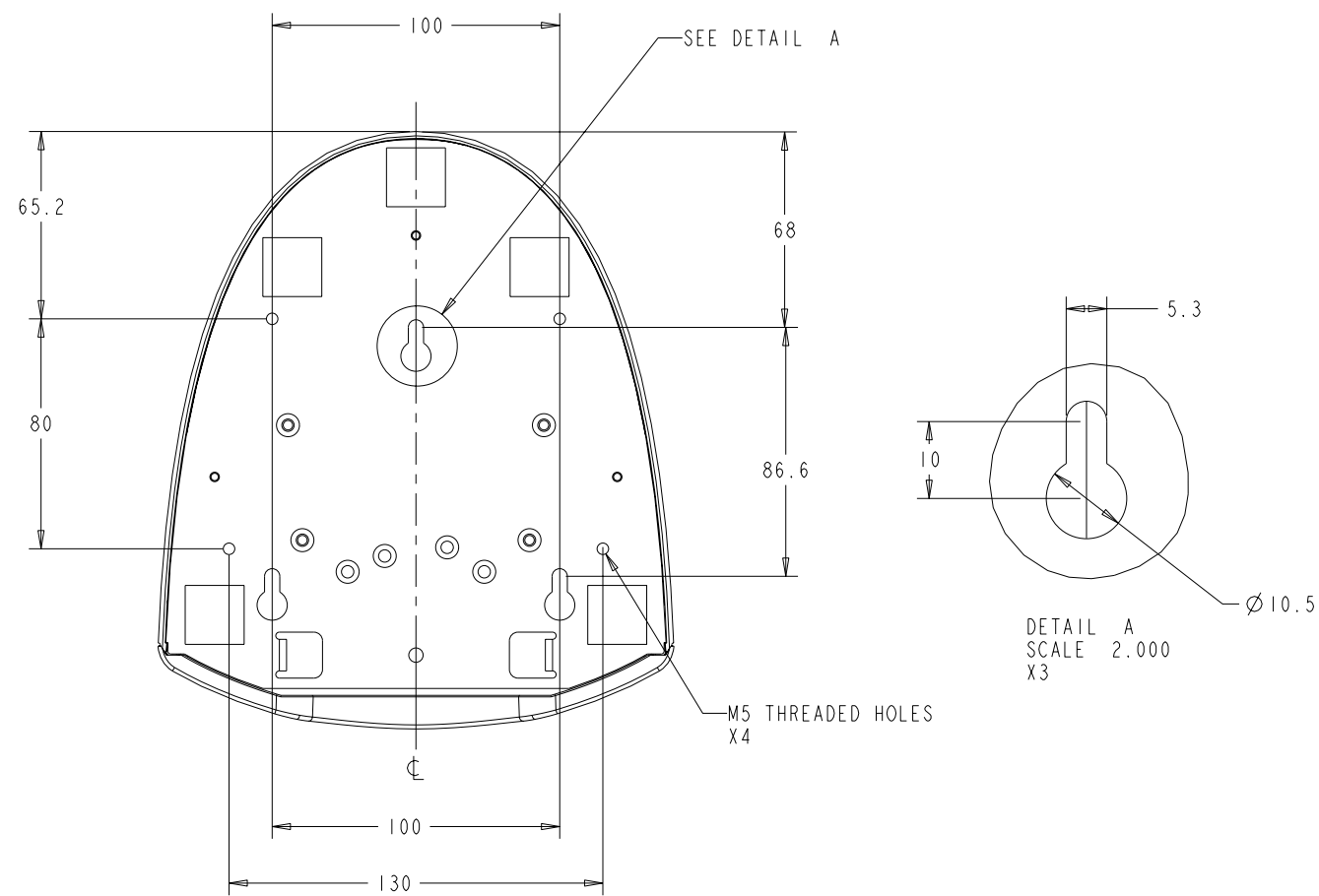


DIMENSIONS ARE IN MILLIMETERS

ESY1525L SERIES



STAND AND BASE SEPERATION



BASE MOUNTING PATTERN

DIMENSIONS ARE IN MILLIMETERS