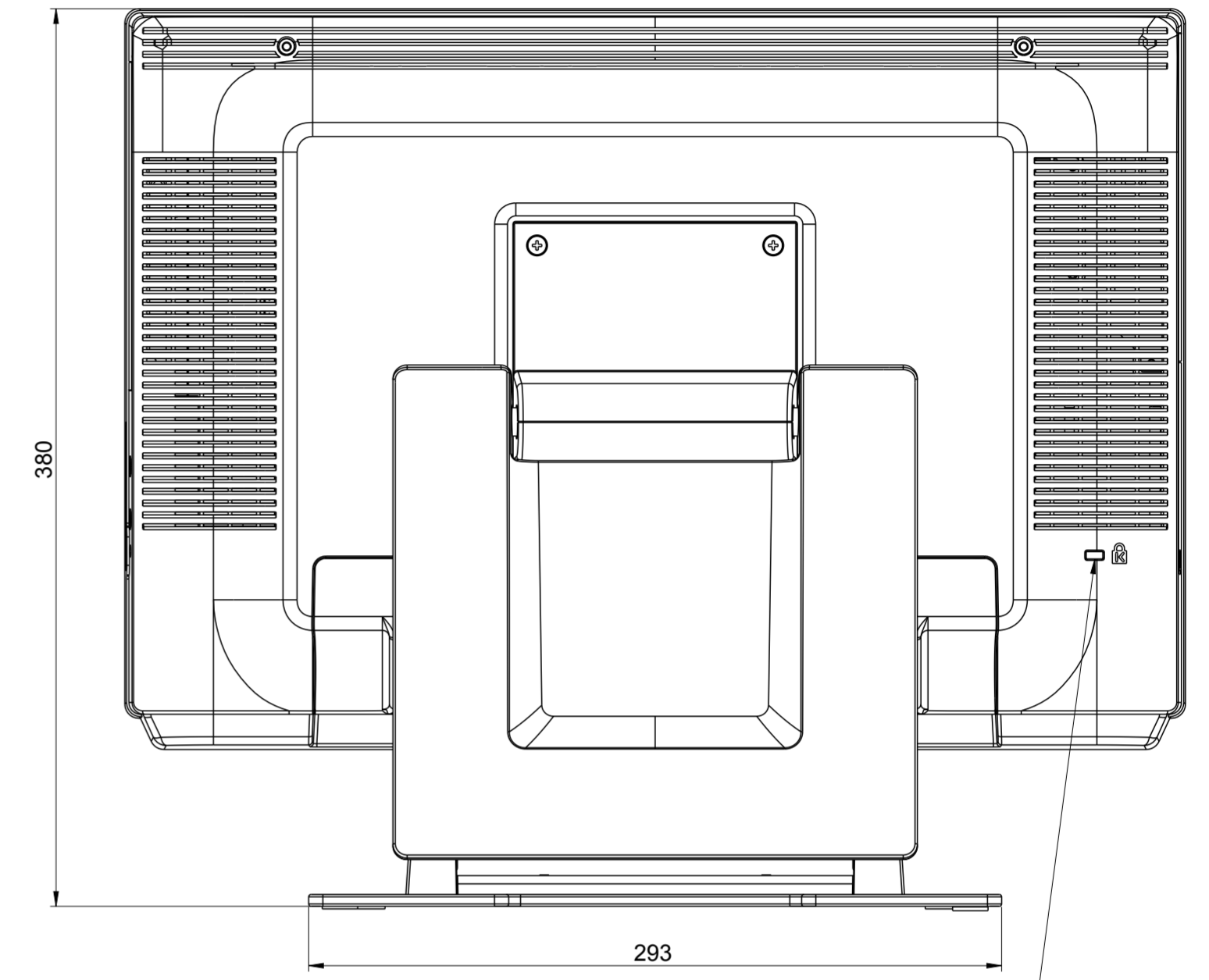
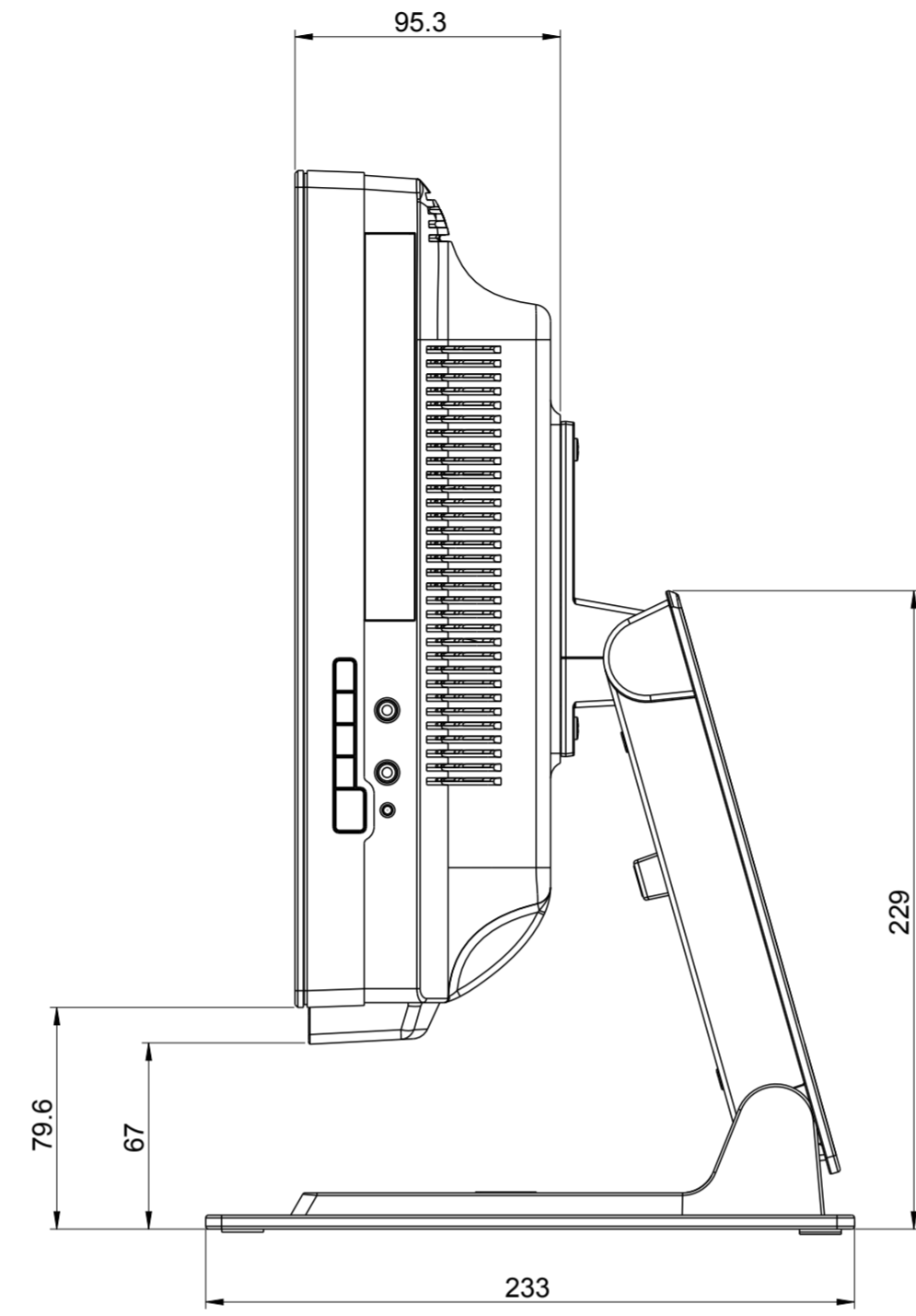
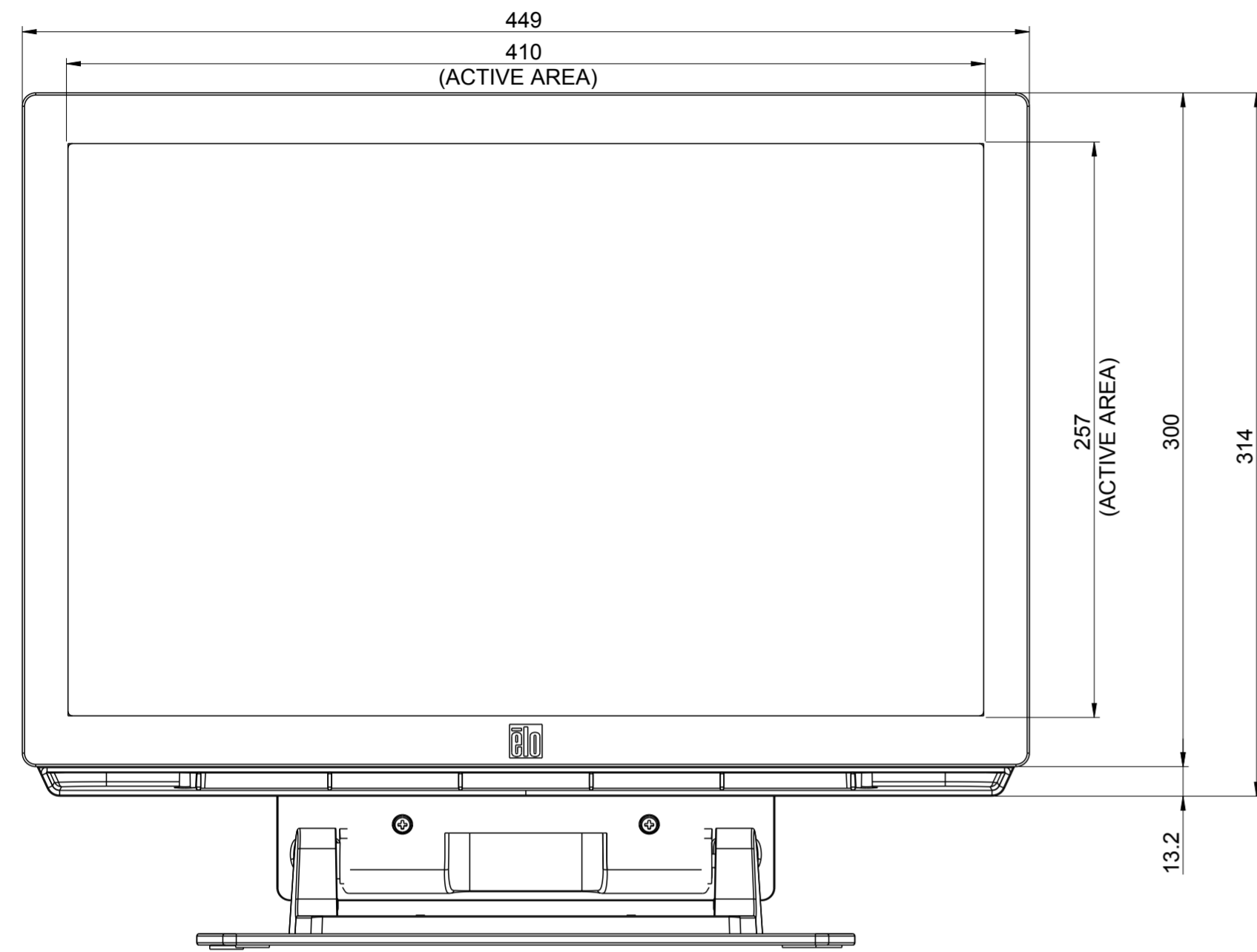
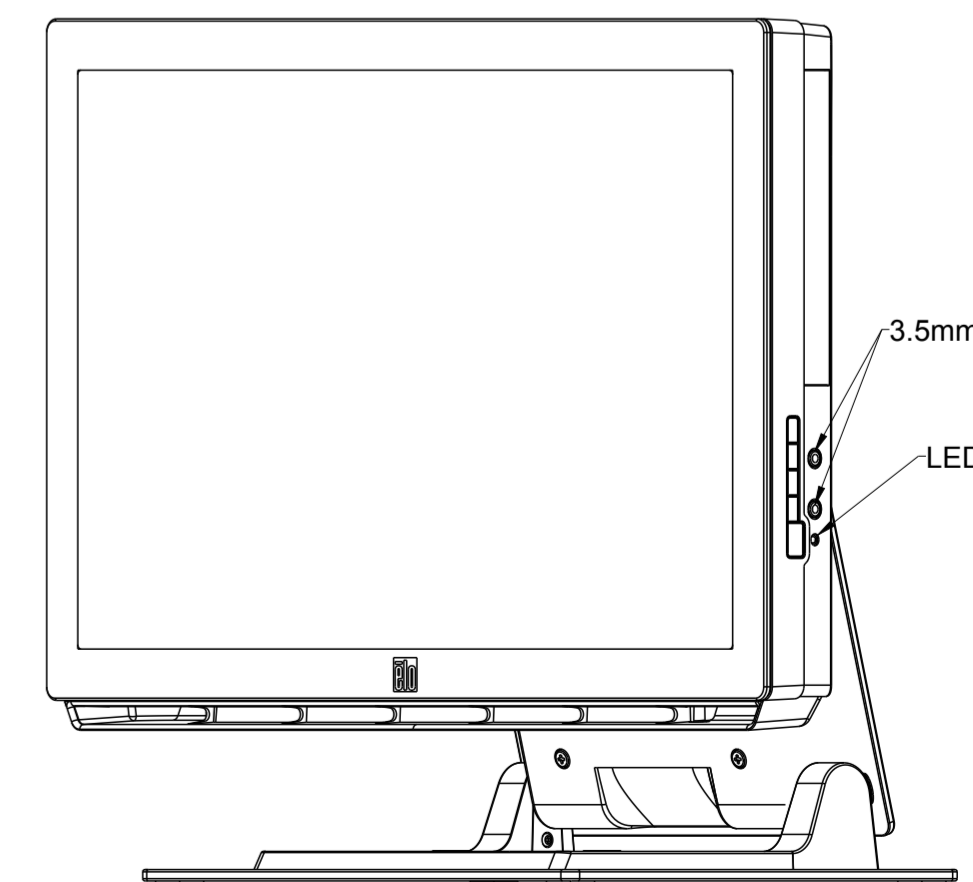
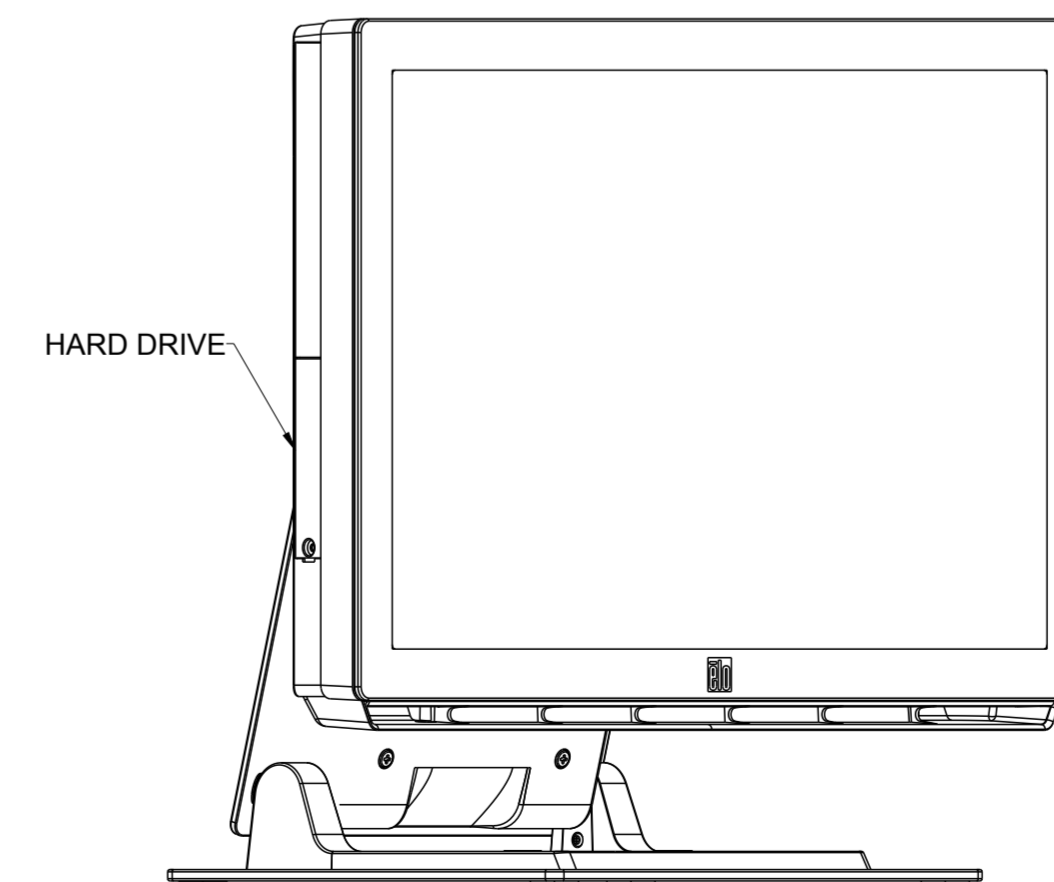
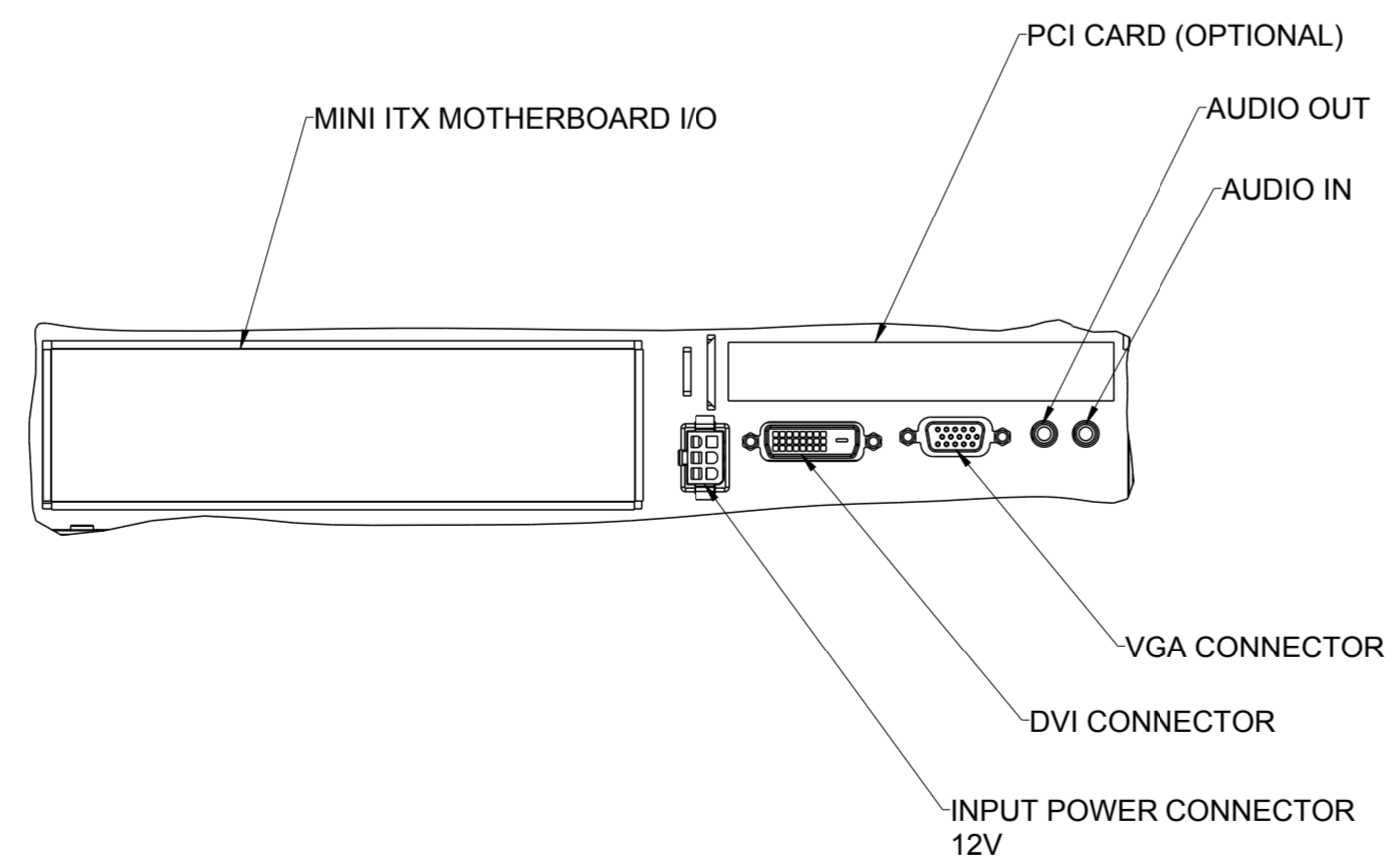
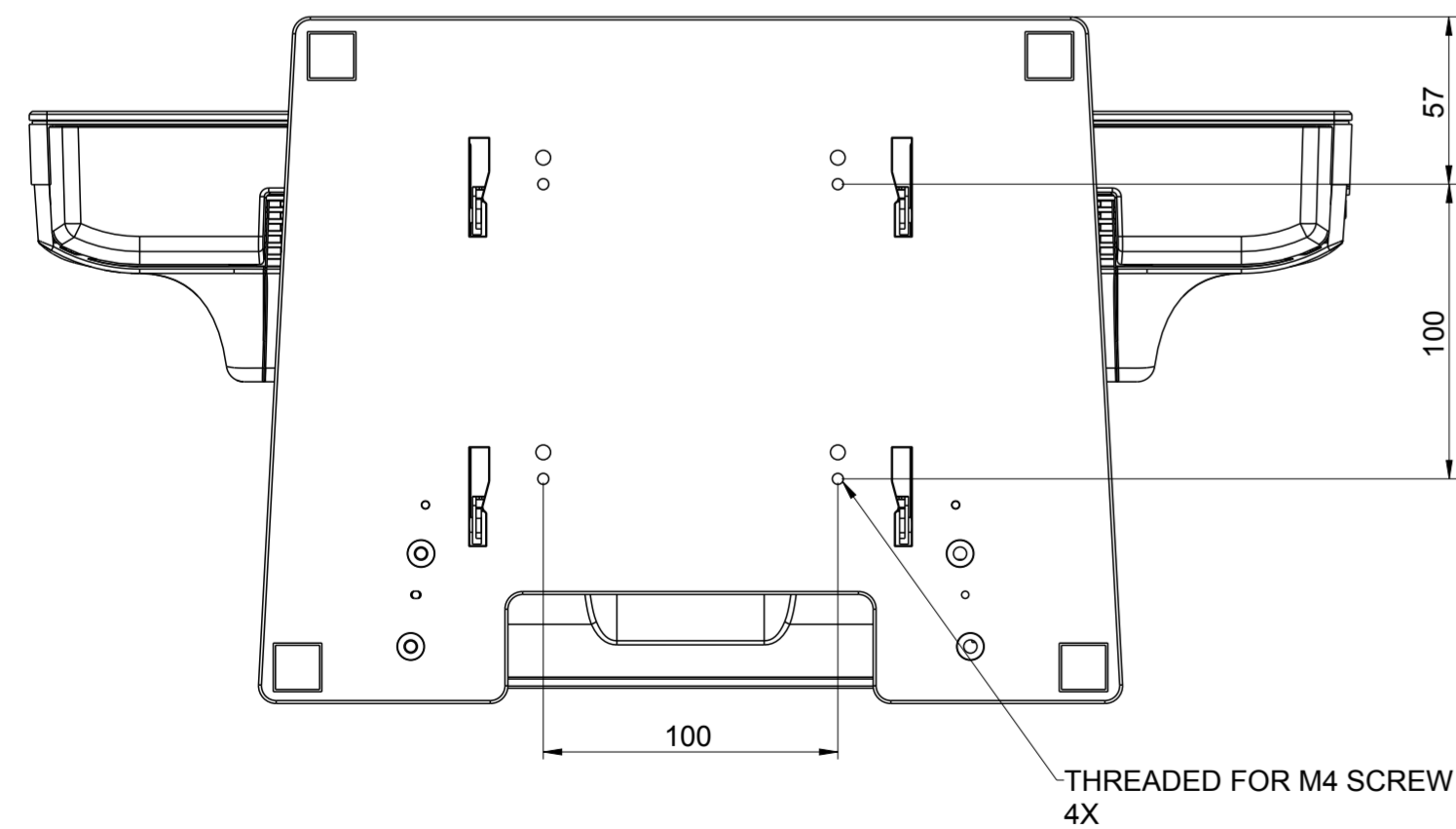


TITLE: 19R/19MR SERIES ALL-IN-ONE COMPUTER



KENSINGTON LOCK FEATURE



DIMENSIONS ARE IN MILLIMETERS