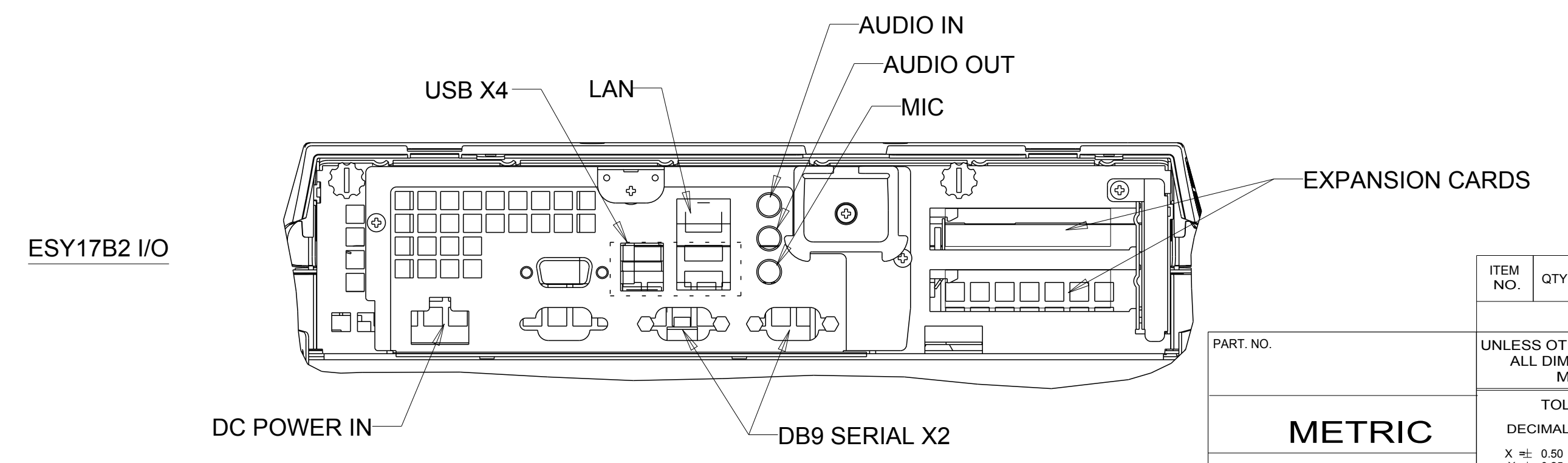
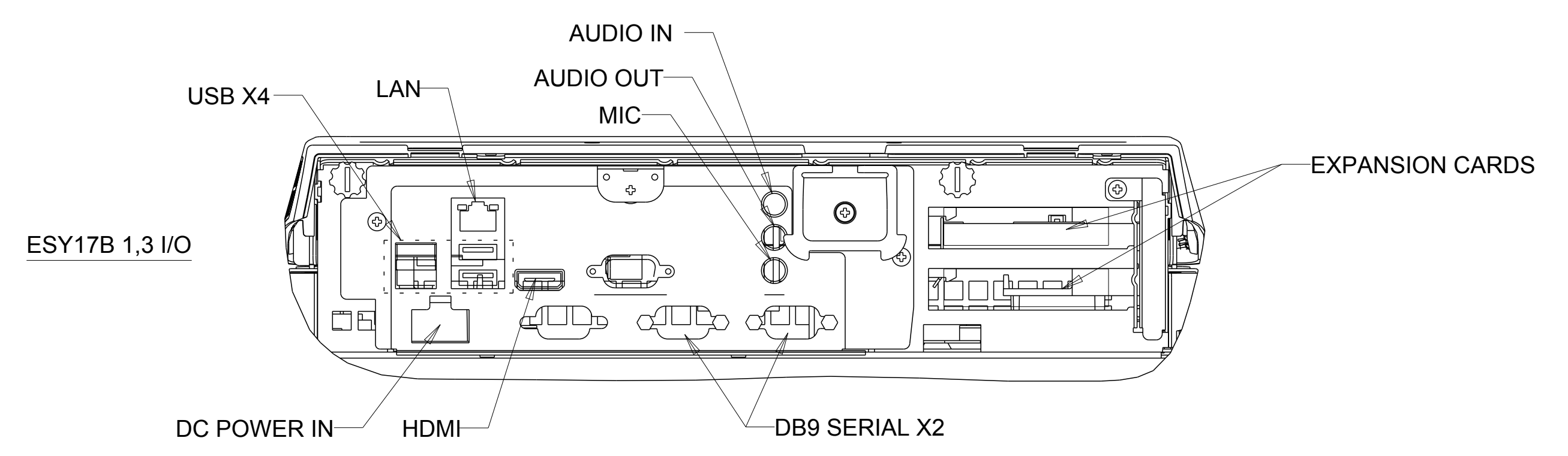
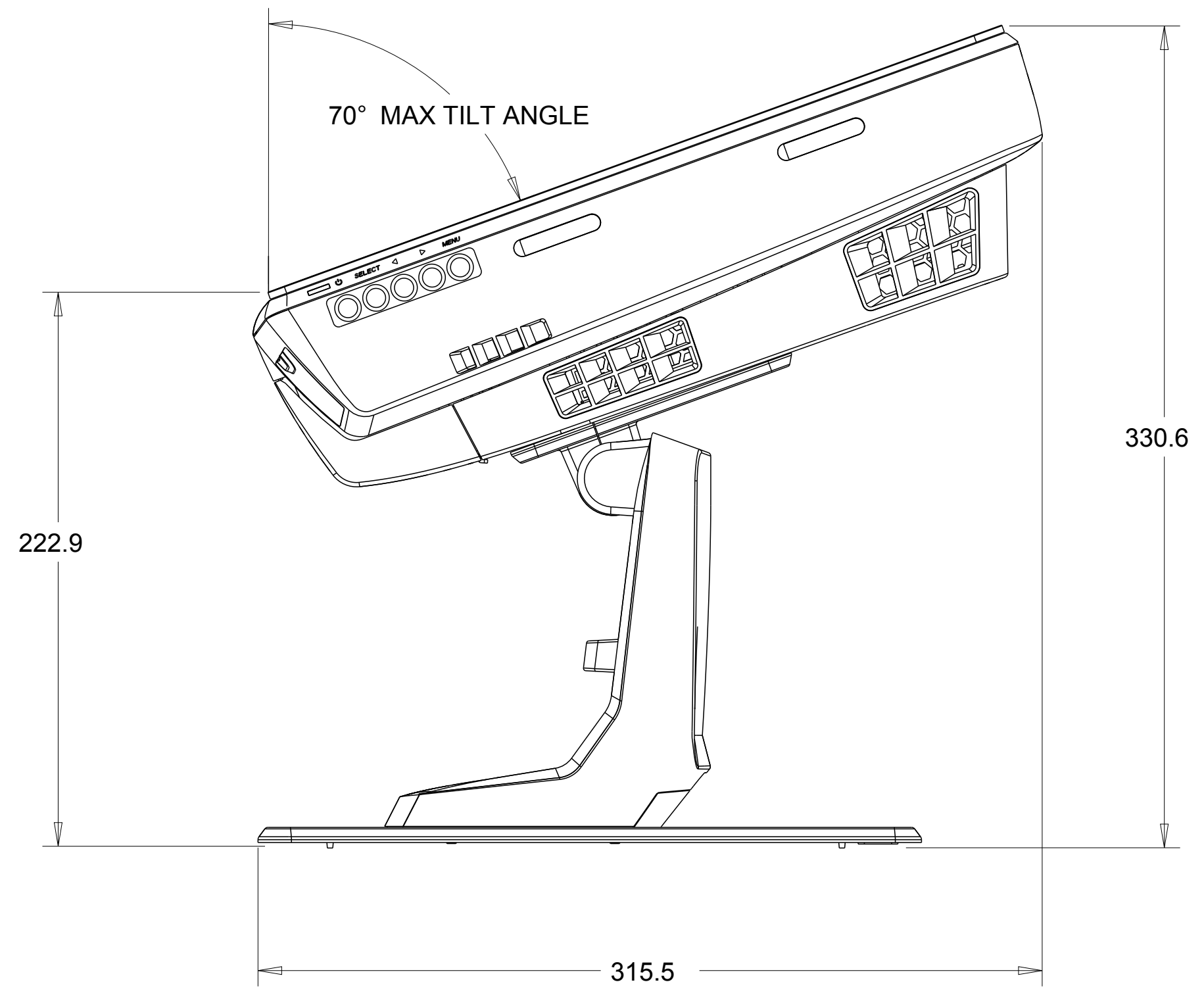
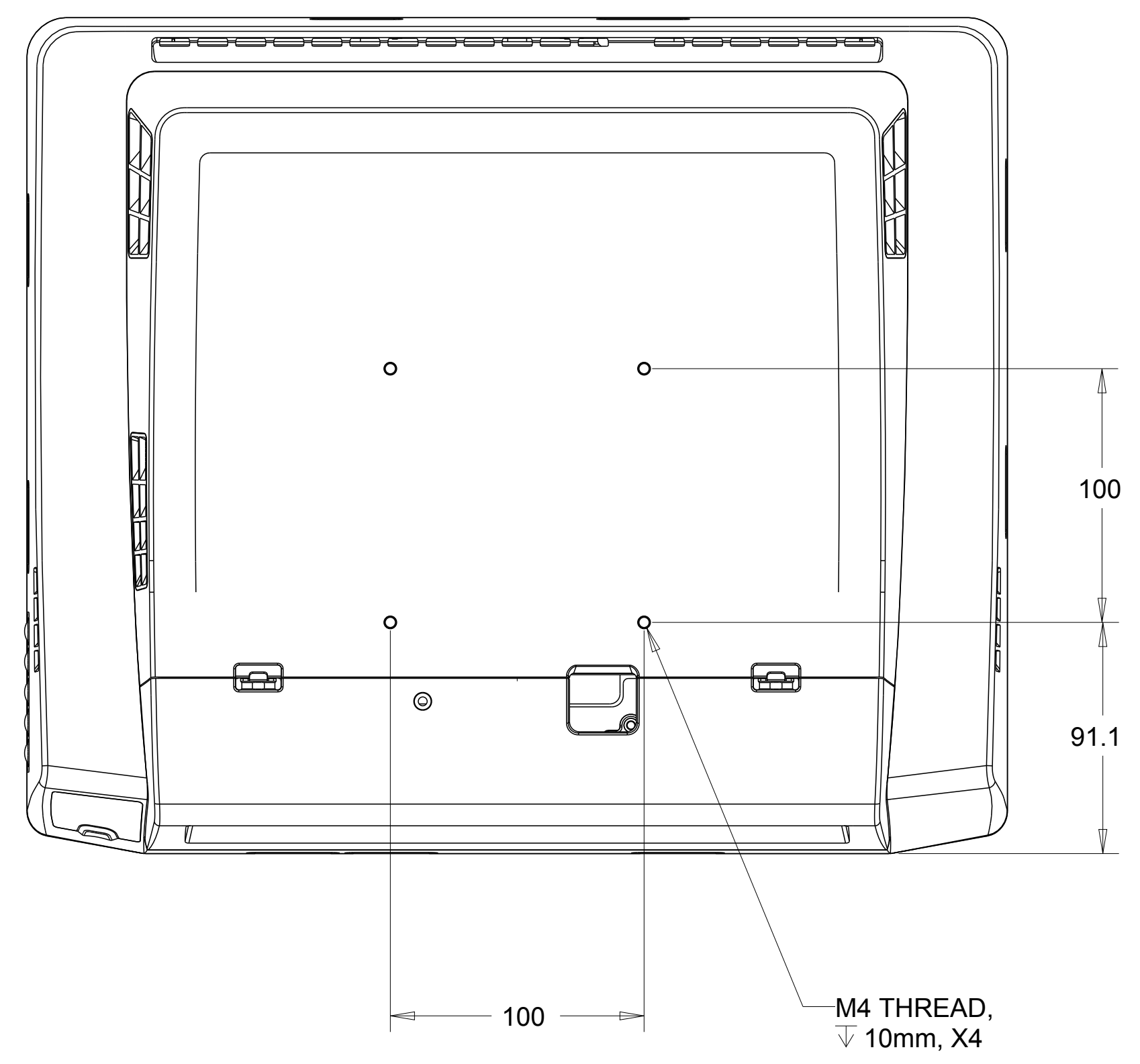
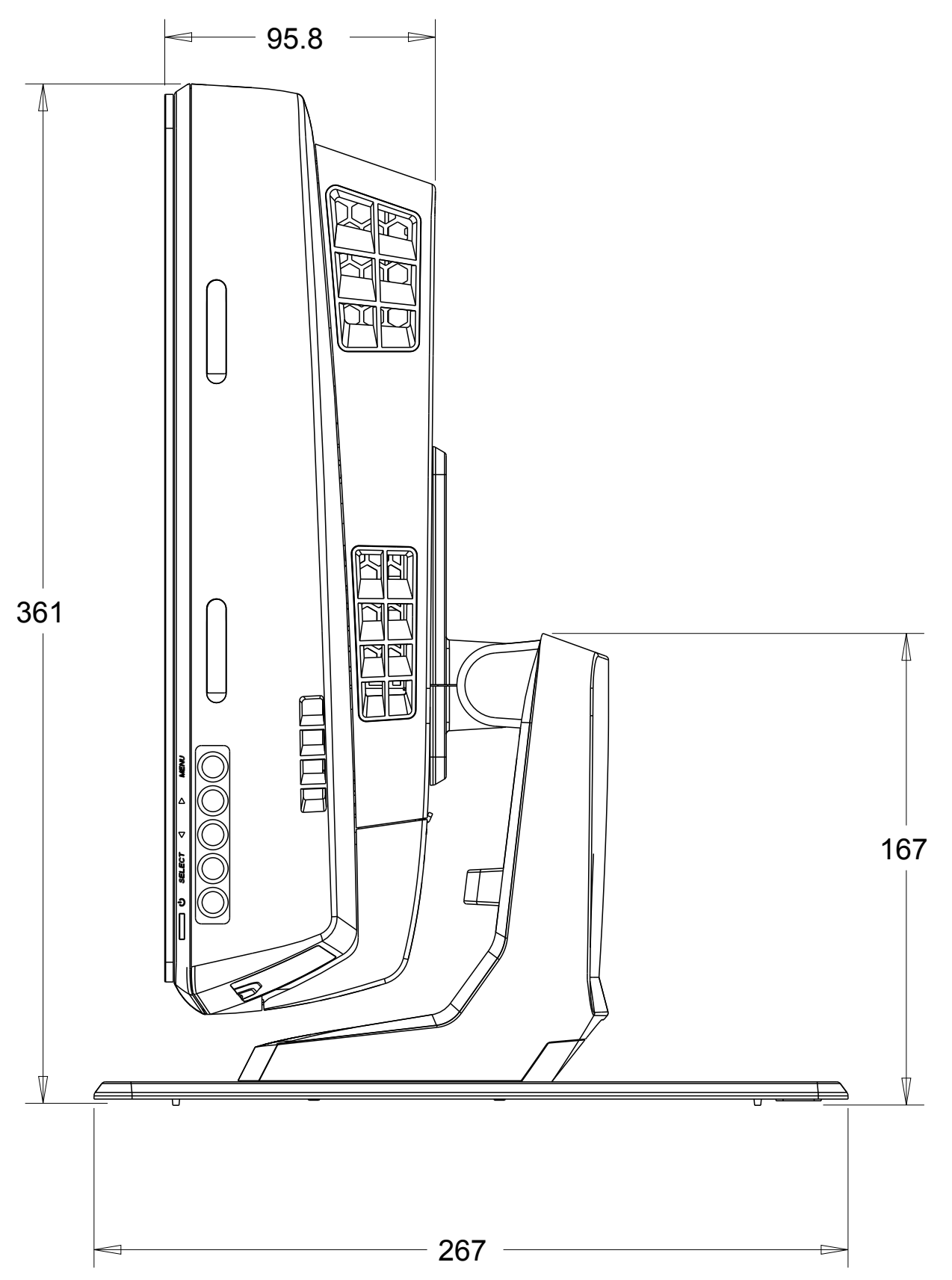
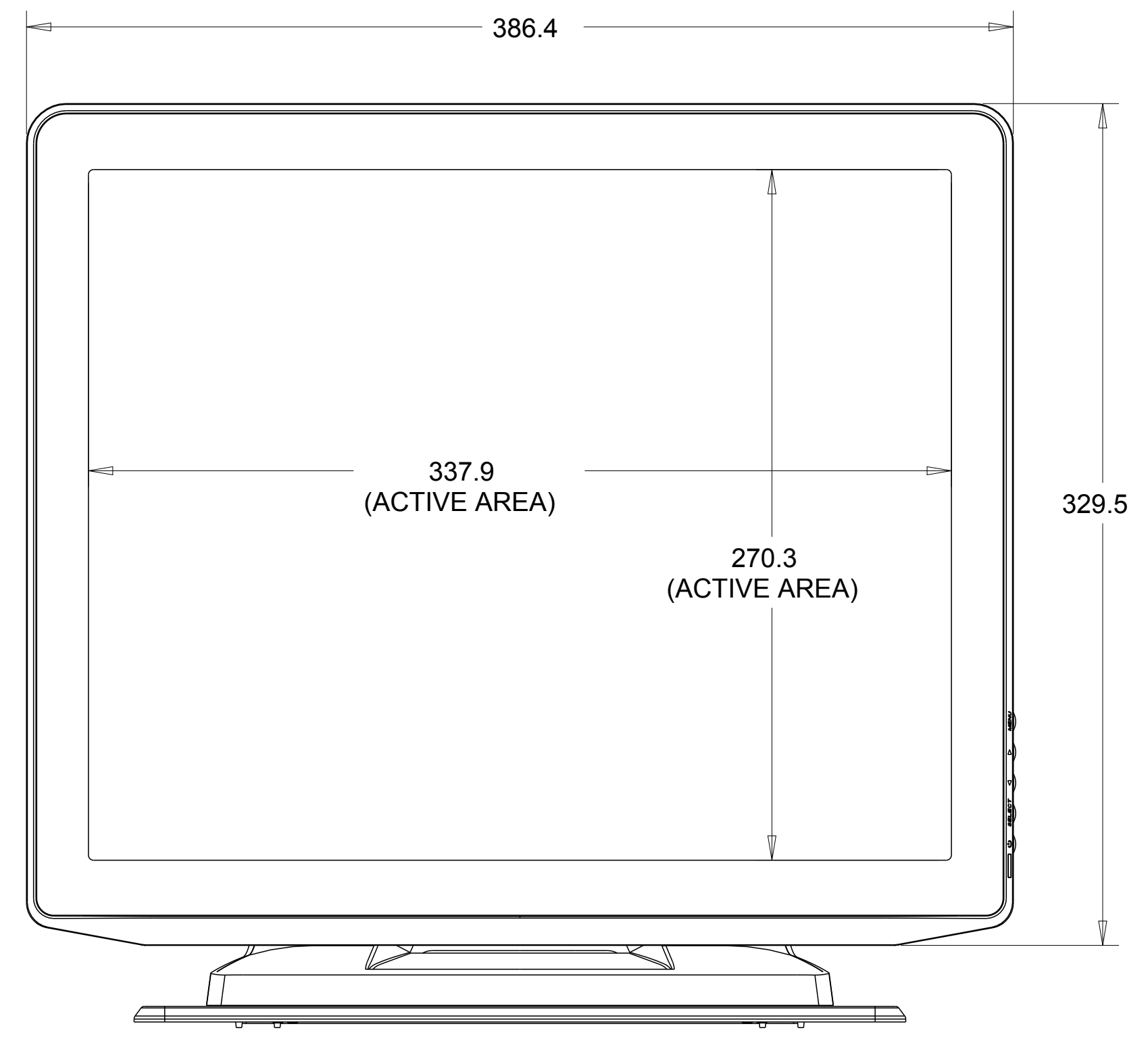


PROPRIETARY TO ELO TOUCH SOLUTIONS, INC. AND SHALL NOT BE DISCLOSED OTHER THAN TO NECESSARY EMPLOYEES OR SUPPLIERS WITHOUT THE EXPRESS WRITTEN CONSENT OF ELO TOUCH SOLUTIONS INC.

REVISIONS					
REV	ZONE	BY	DESCRIPTION	DATE	APPROVED
A	--	KJN	INITIAL RELEASE	08/10/11	
D	--	DI	REVISED PER ECO-12-016378, ELO TB WAS TE	09/25/12	



ITEM NO.	QTY REQ'D	DRAWING OR PART NO.	DESCRIPTION	MATERIAL SPECIFICATION
PARTS LIST				
PART NO.		UNLESS OTHERWISE SPECIFIED ALL DIMENSIONS ARE IN MILLIMETERS	DRAWN KEN NORTH	DATE 00.00.00
METRIC		TOLERANCES ARE:	CHECK	DATE
DO NOT SCALE DRAWING		DECIMALS ±1/2"	DESIGN	DATE
		ANGLES ±1/32"	KEN NORTH	00.00.00
		FRACTIONS ±1/32"	THIRD ANGLE PROJECTION	
Pro/E prt/asm: 17B_CFD_TOP_MS.PRT				
Pro/E drw: MS600846_REV.DRW				
SIZE	SCALE	SHEET	DWG. NO.	REV
D	0.250	1 OF 4	MS600846	D

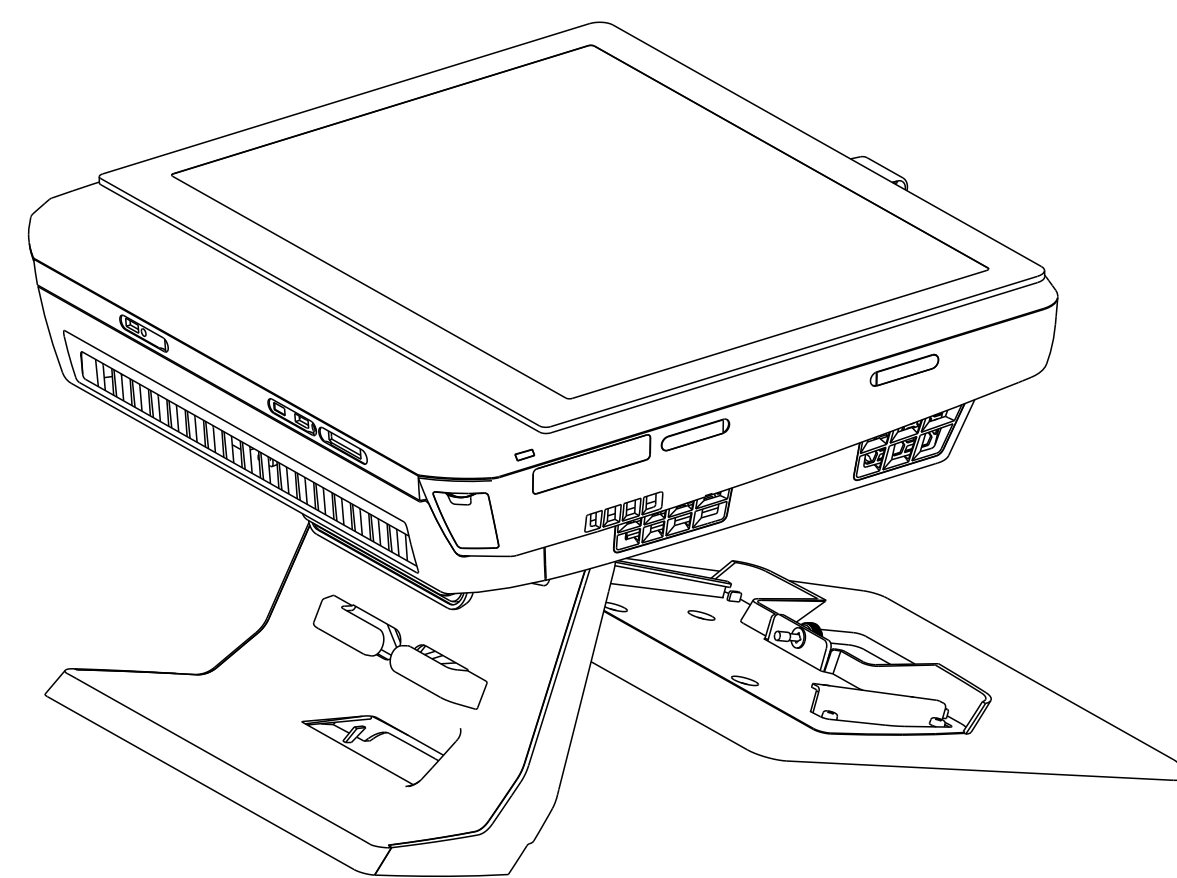
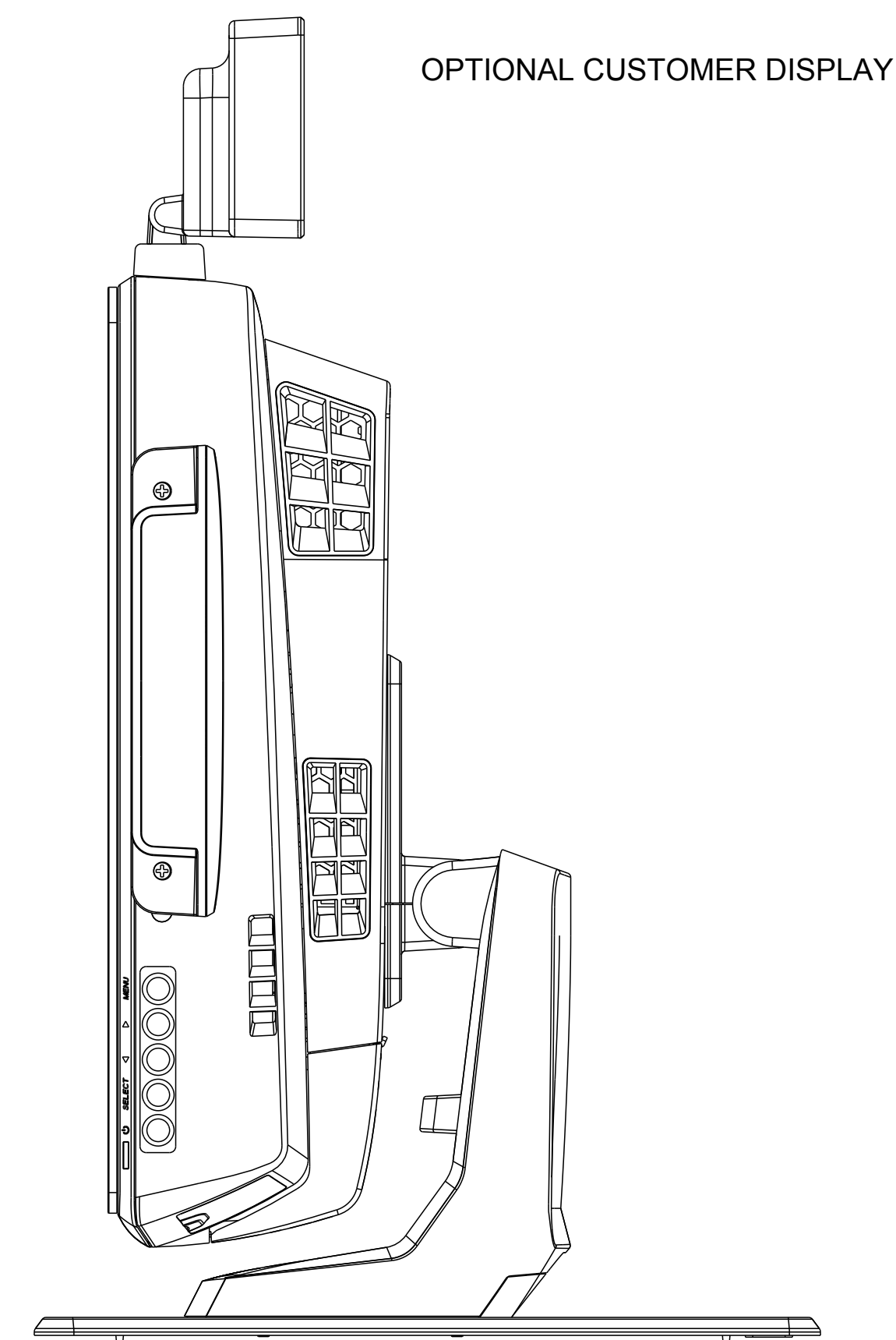
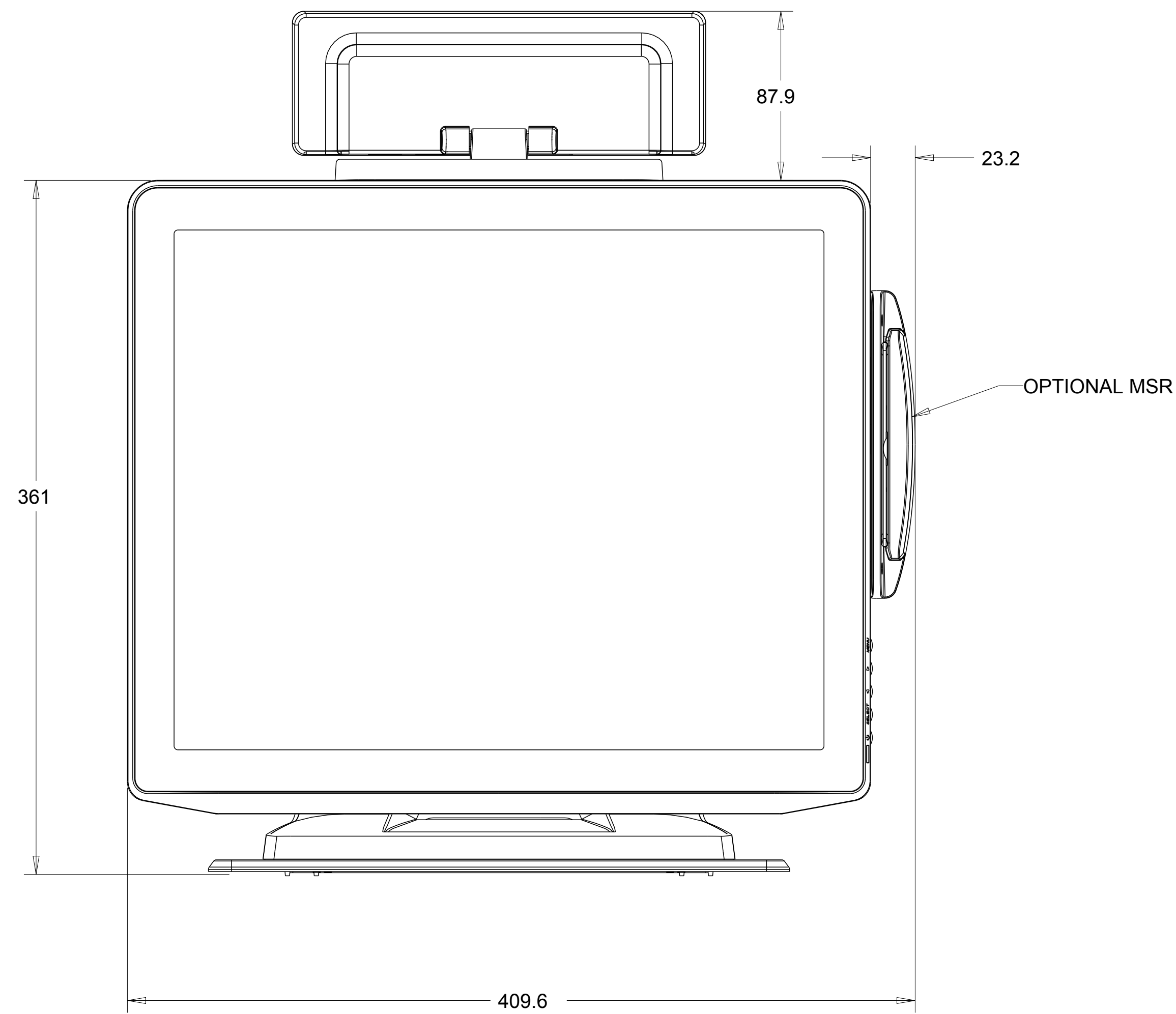
DIMENSIONAL DRAWING
ESY17Bx



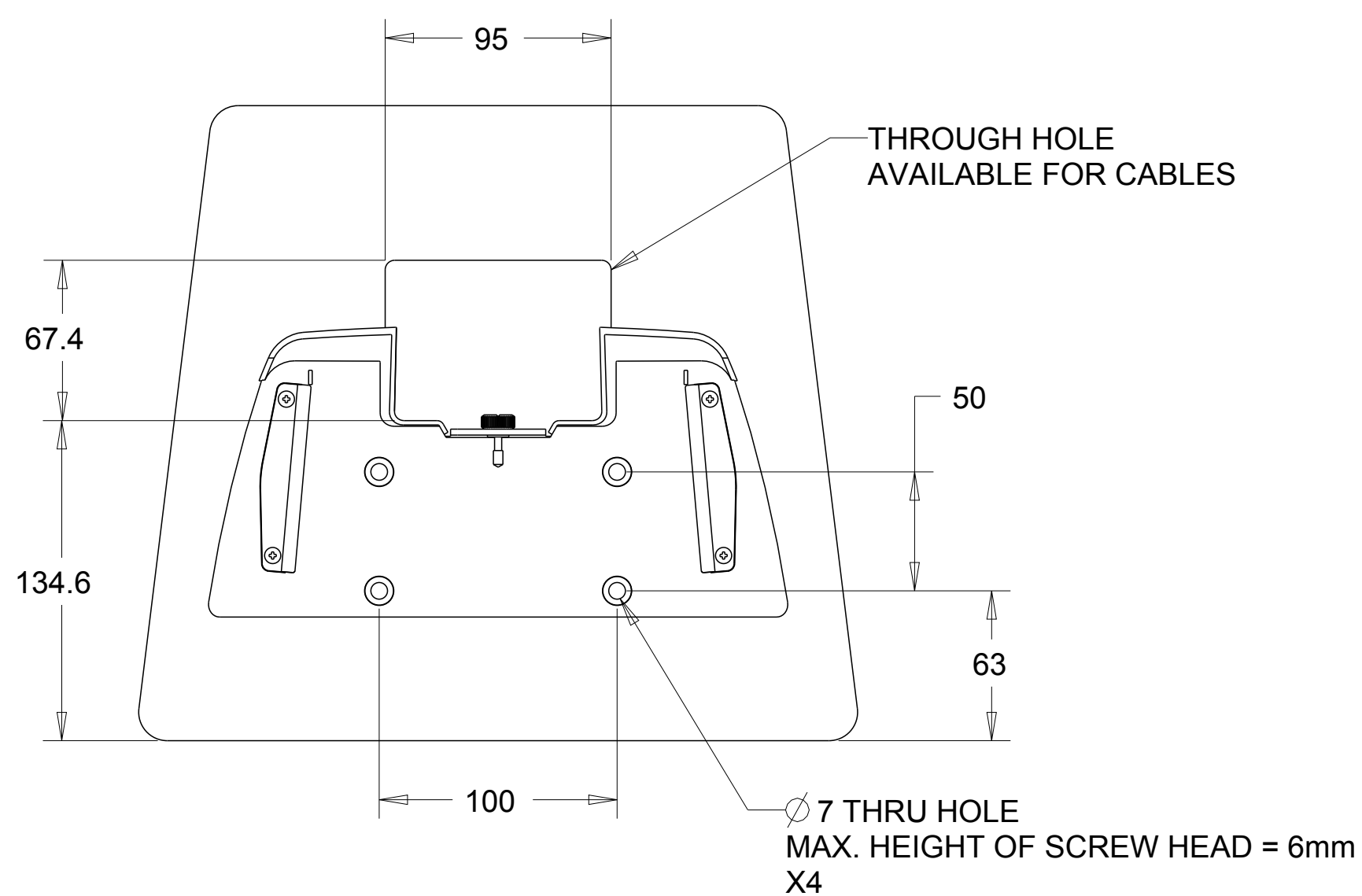
MS600846
REV D
SHT 1 OF 4

PROPRIETARY TO ELO TOUCH SOLUTIONS, INC. AND SHALL NOT BE DISCLOSED OTHER THAN TO NECESSARY EMPLOYEES OR SUPPLIERS WITHOUT THE EXPRESS WRITTEN CONSENT OF ELO TOUCH SOLUTIONS INC.

REVISIONS					
REV	ZONE	BY	DESCRIPTION	DATE	APPROVED
			SEE SHEET ONE		



MOUNTING THROUGH HOLES LOCATED ON THE STAND PLATE.



ITEM NO.	QTY REQ'D	DRAWING OR PART NO.	DESCRIPTION	MATERIAL SPECIFICATION
PARTS LIST				
PART. NO.		UNLESS OTHERWISE SPECIFIED ALL DIMENSIONS ARE IN MILLIMETERS	DRAWN KEN NORTH	DATE 00.00.00
METRIC		TOLERANCES ARE: DECIMALS ANGLES X ±: 0.50 ±1/ 2" X ±: 0.25 FRACTIONS XX ±: 0.13 ±1/ 32	CHECK	DATE
			DESIGN KEN NORTH	DATE 00.00.00
THIRD ANGLE PROJECTION				
DO NOT SCALE DRAWING				TITLE DIMENSIONAL DRAWING ESY17Bx
Pro/E prt/asm: 17B_CFD_TOP_MS.PRT Pro/E drw: MS600846_REV.DRW				SIZE D
			DWG. NO. MS600846	REV D

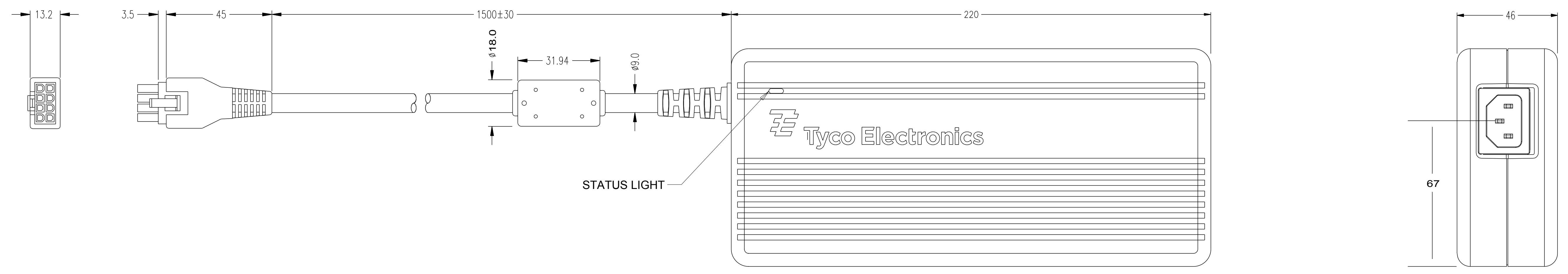
SHT 2 OF 4 REV D DWG. NO. MS600846

8 7 6 5 4 3 2 1

8 7 6 5 4 3 2 1

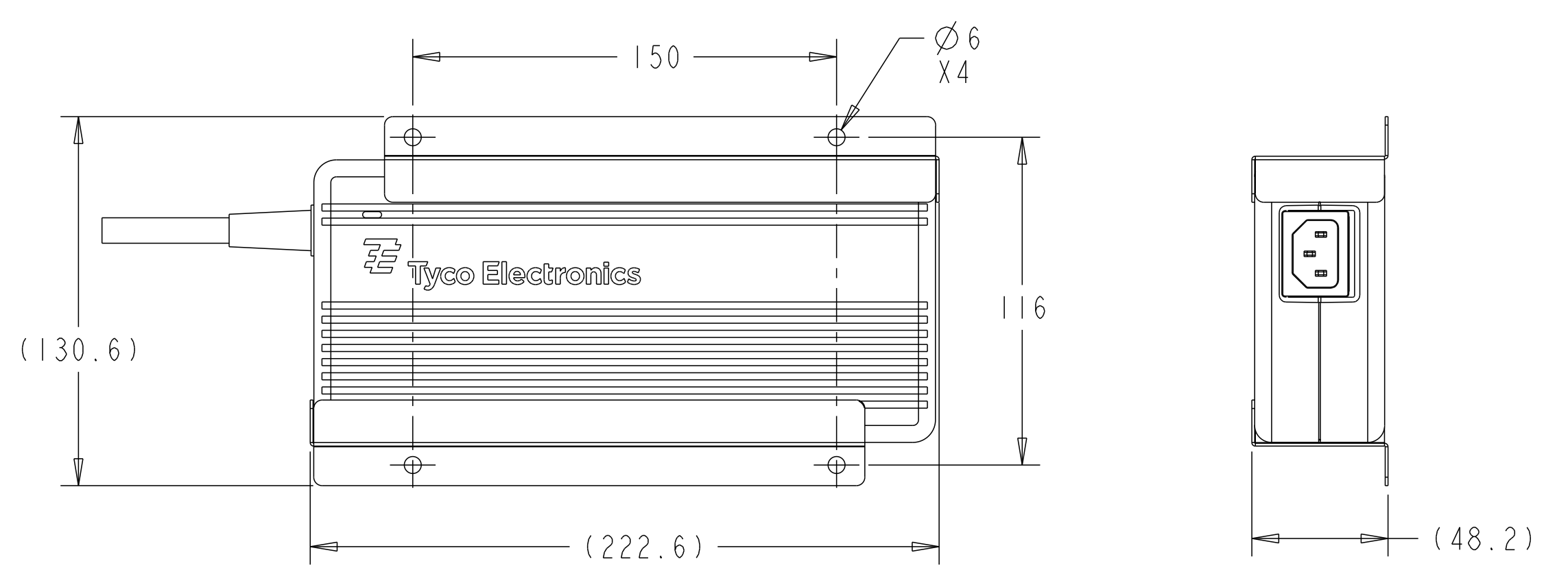
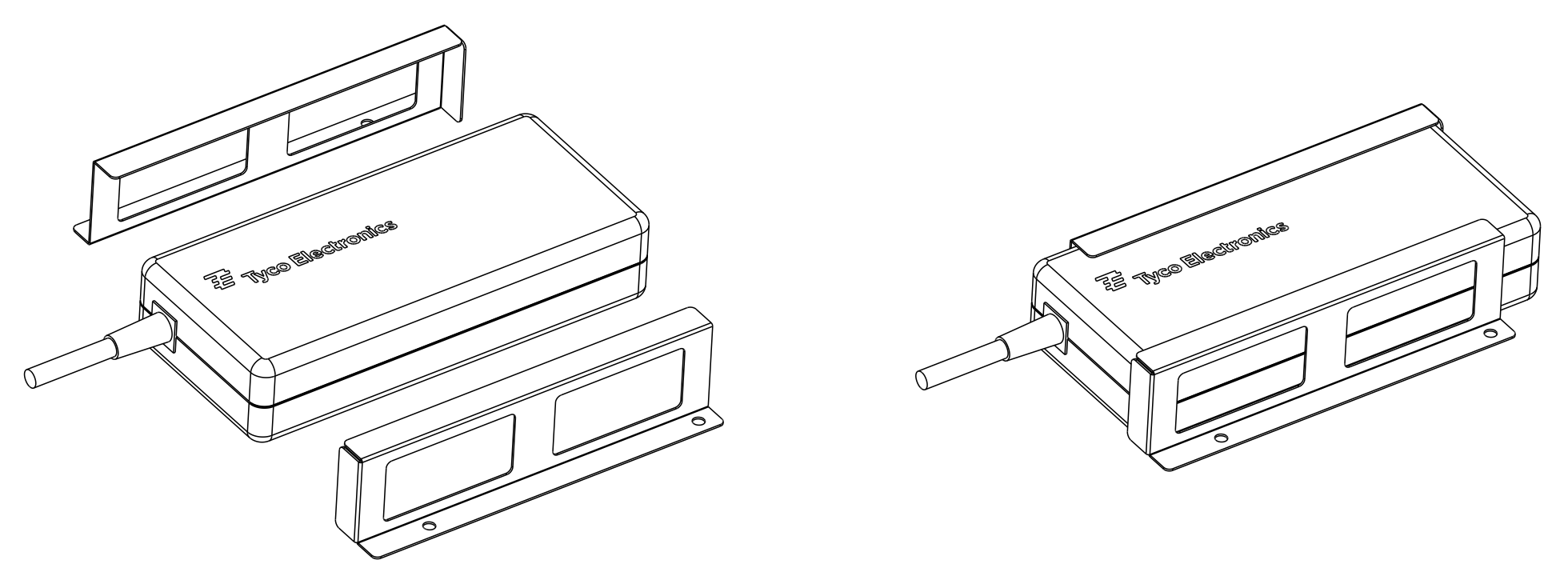
PROPRIETARY TO ELO TOUCH SOLUTIONS, INC. AND SHALL NOT BE DISCLOSED OTHER THAN TO NECESSARY EMPLOYEES OR SUPPLIERS WITHOUT THE EXPRESS WRITTEN CONSENT OF ELO TOUCH SOLUTIONS INC.

REVISIONS					
REV	ZONE	BY	DESCRIPTION	DATE	APPROVED
			SEE SHEET ONE		



POWER BRICK

MOUNTING BRACKET KIT DETAILS



ITEM NO.	QTY REQ'D	DRAWING OR PART NO.	DESCRIPTION	MATERIAL SPECIFICATION
PARTS LIST				
PART. NO.		UNLESS OTHERWISE SPECIFIED ALL DIMENSIONS ARE IN MILLIMETERS	DRAWN KEN NORTH	DATE 00.00.00
METRIC		TOLERANCES ARE: DECIMALS ANGLES X ±: 0.50 ±1/ 2° X ±: 0.25 FRACTIONS XX ±: 0.13 ±1/ 32	CHECK KEN NORTH	DATE 00.00.00
DO NOT SCALE DRAWING			THIRD ANGLE PROJECTION	
Title: DIMENSIONAL DRAWING ESY17Bx				
Pro/E prt/asm: 17B_CFD_TOP_MS.PRT	SIZE D	SCALE 0.250	SHEET 3 OF 4	DWG. NO. MS600846
Pro/E drw: MS600846_REV.DRW			REV D	

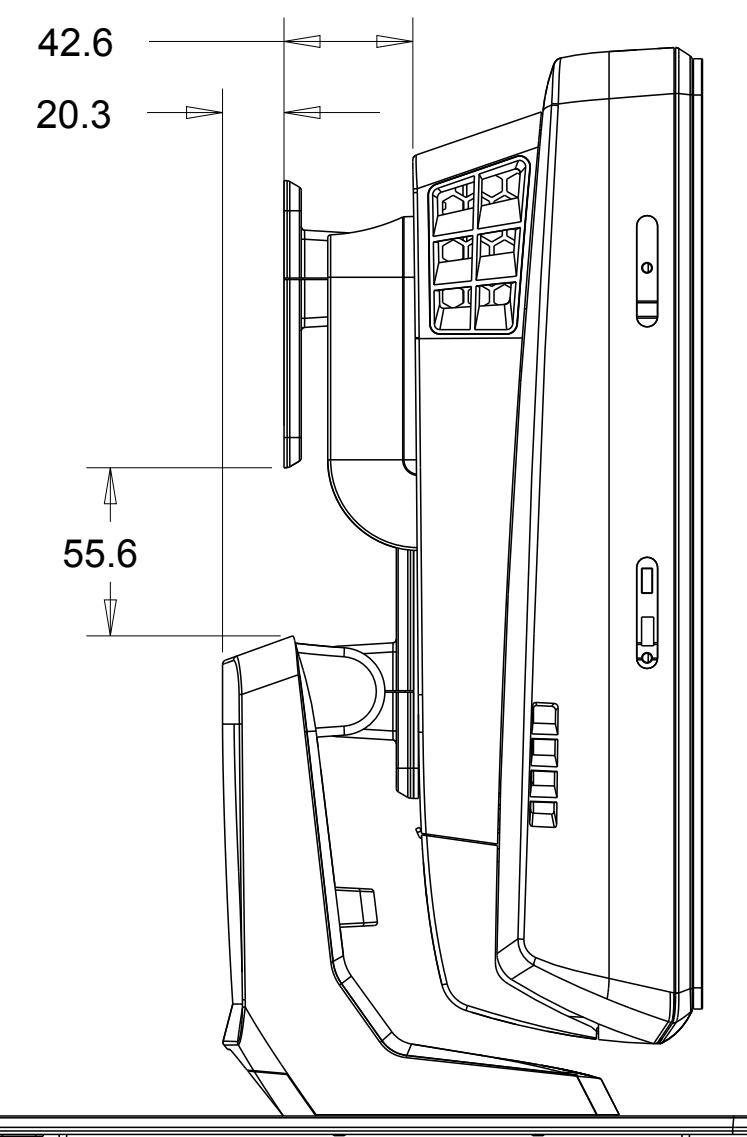
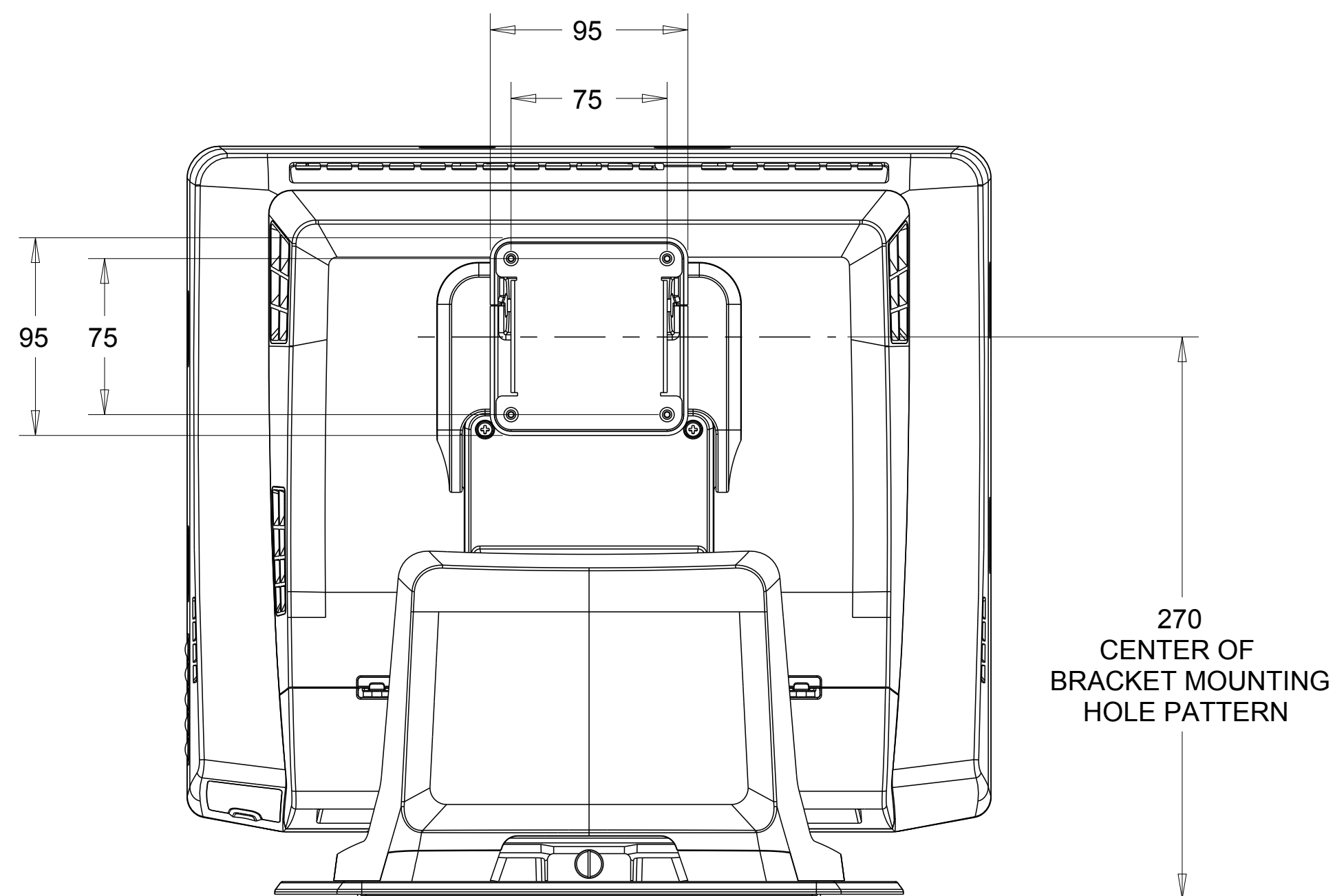
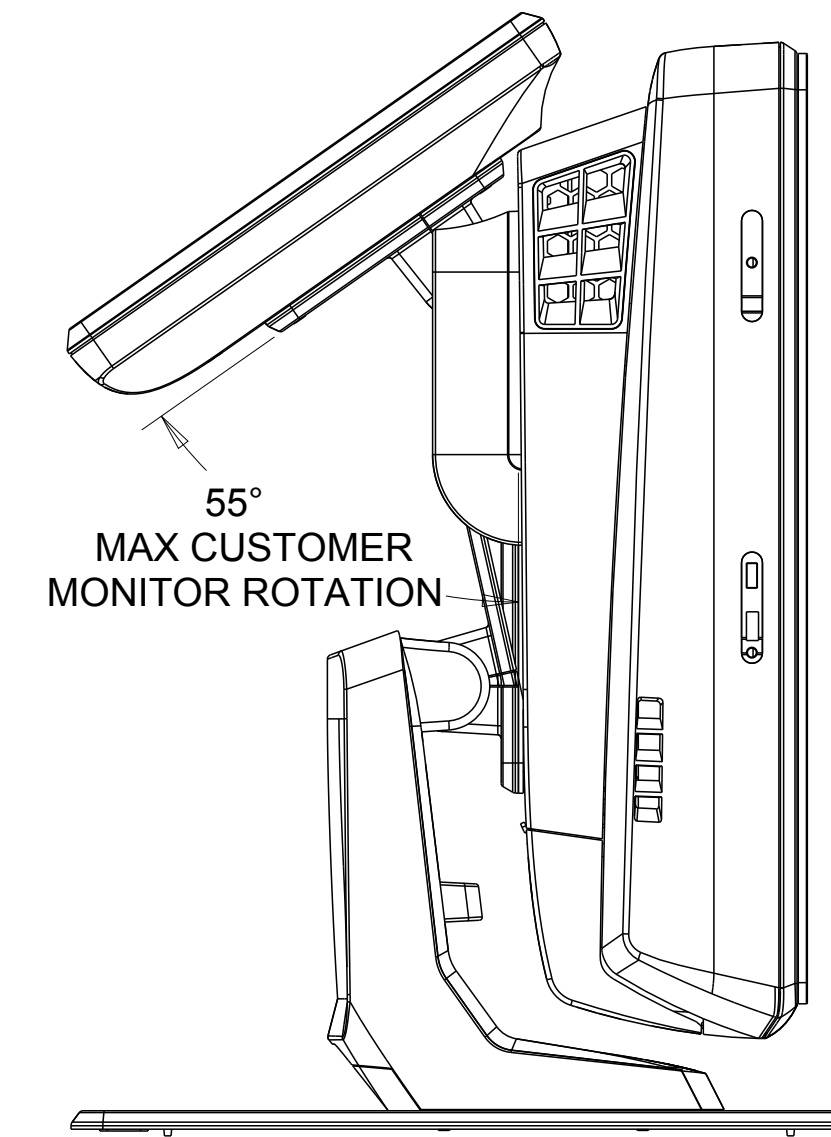
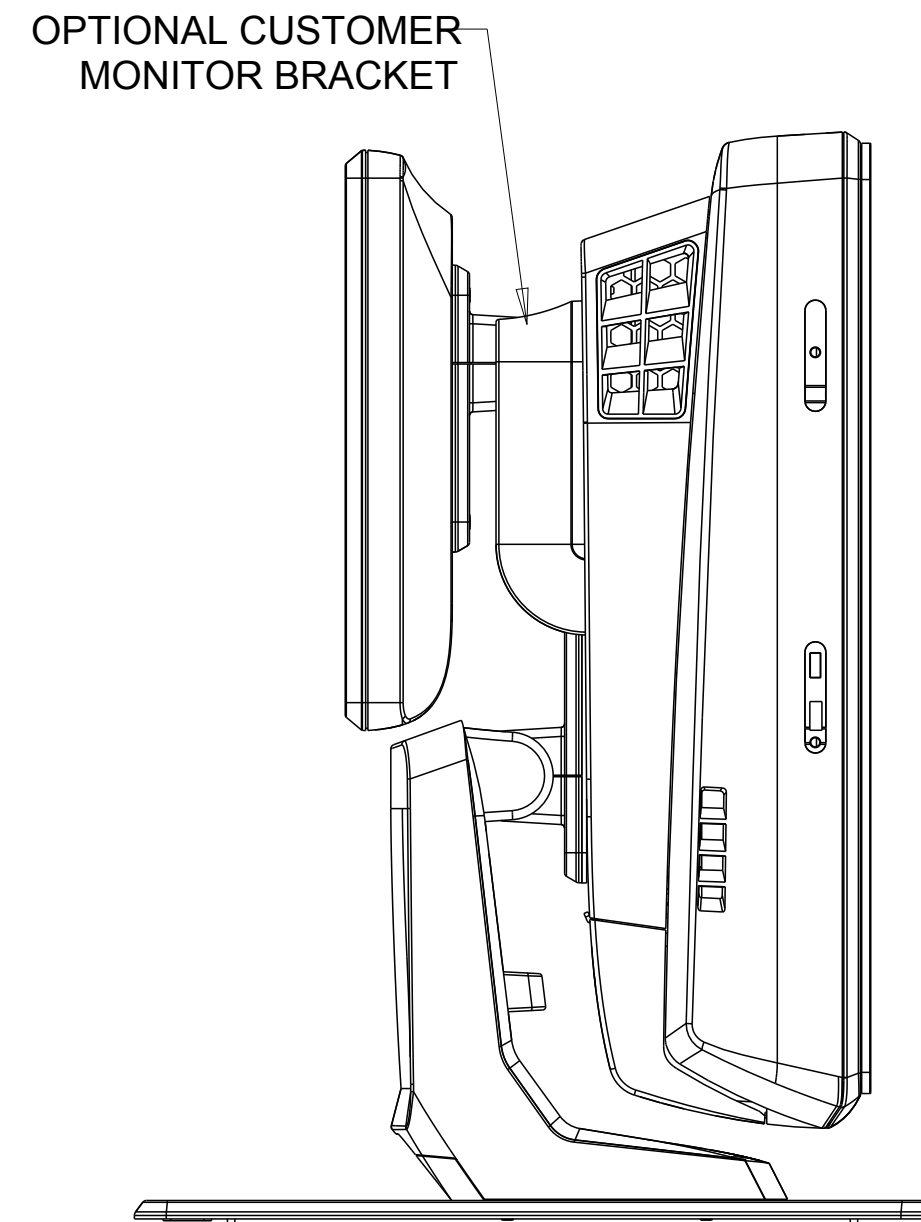
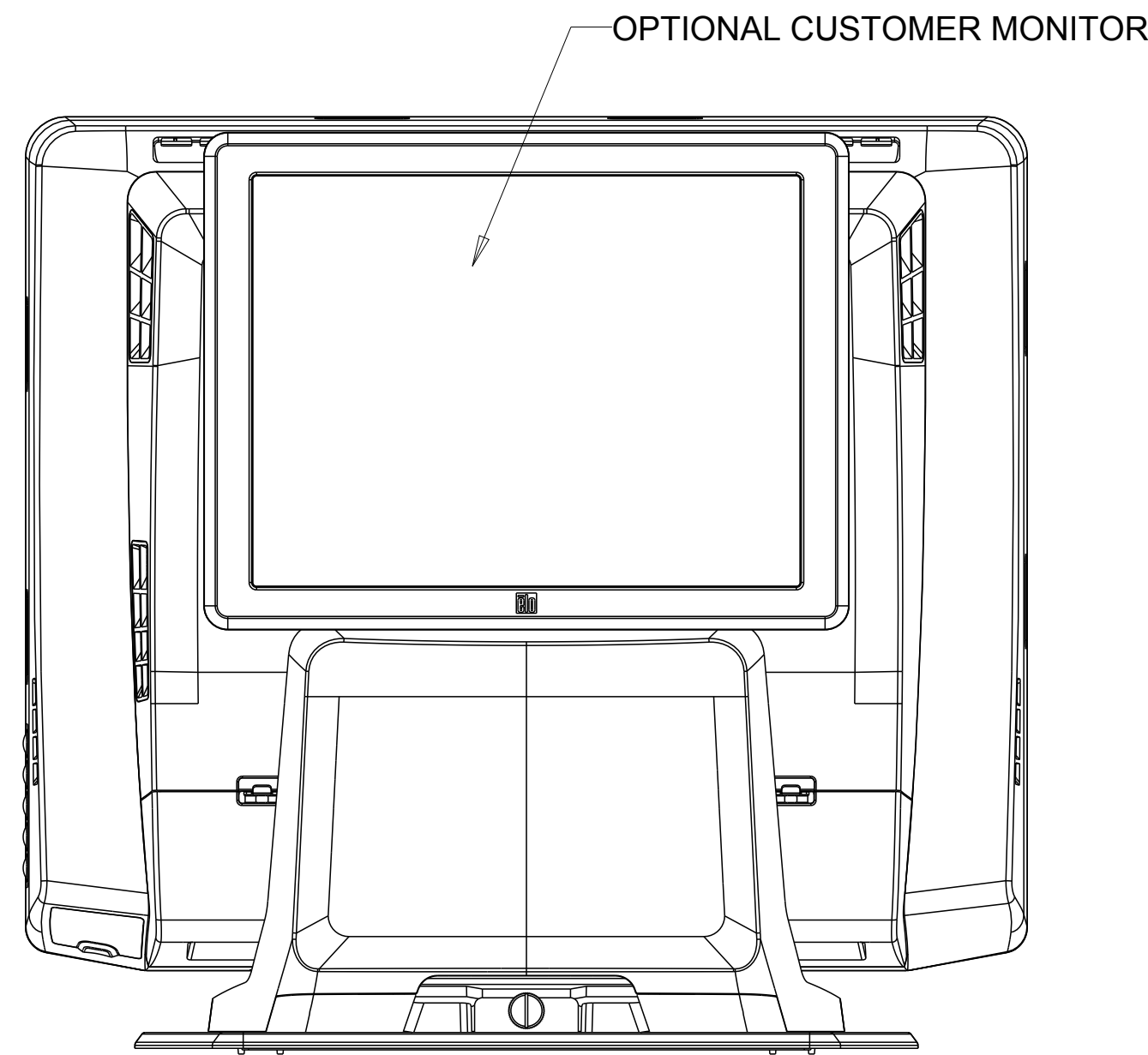
SHT 3 OF 4 REV D DWG. NO. MS600846

8 7 6 5 4 3 2 1

PROPRIETARY TO ELO TOUCH SOLUTIONS, INC. AND SHALL NOT BE DISCLOSED OTHER THAN TO NECESSARY EMPLOYEES OR SUPPLIERS WITHOUT THE EXPRESS WRITTEN CONSENT OF ELO TOUCH SOLUTIONS INC.

REVISIONS					
REV	ZONE	BY	DESCRIPTION	DATE	APPROVED
			SEE SHEET ONE		

P/N E750095 CUSTOMER MONITOR BRACKET (OPTIONAL)



CUSTOMER MONITOR COMPATIBILITY REQUIREMENTS	
MAXIMUM WEIGHT	3.3 lbs, (1.5 kg)
MOUNTING HOLES	75mm SQUARE PER VESA STANDARD
FITMENT AND ROTATION AMOUNTS MAY VARY DEPENDING ON CUSTOMER MONITOR DIMENSIONS	

ITEM NO.	QTY REQ'D	DRAWING OR PART NO.	DESCRIPTION	MATERIAL SPECIFICATION
PARTS LIST				
PART NO.	UNLESS OTHERWISE SPECIFIED ALL DIMENSIONS ARE IN MILLIMETERS	DRAWN KEN NORTH	DATE 00.00.00	TITLE
METRIC	TOLERANCES ARE: DECIMALS ±1/2" X ±: 0.50 X ±: 0.25 XX ±: 0.13	CHECK KEN NORTH	DATE 00.00.00	DIMENSIONAL DRAWING ESY17Bx
DO NOT SCALE DRAWING				elo TOUCH SOLUTIONS
THIRD ANGLE PROJECTION				
Pro/E prt/asm: 17B_CFD_TOP_MS.PRT		Pro/E drw: MS600846_REV.DRW		
SIZE	SCALE	SHEET	DWG. NO.	REV
D	0.400	4 OF 4	MS600846	D

SHT 4 OF 4 REV D DWG NO. MS600846