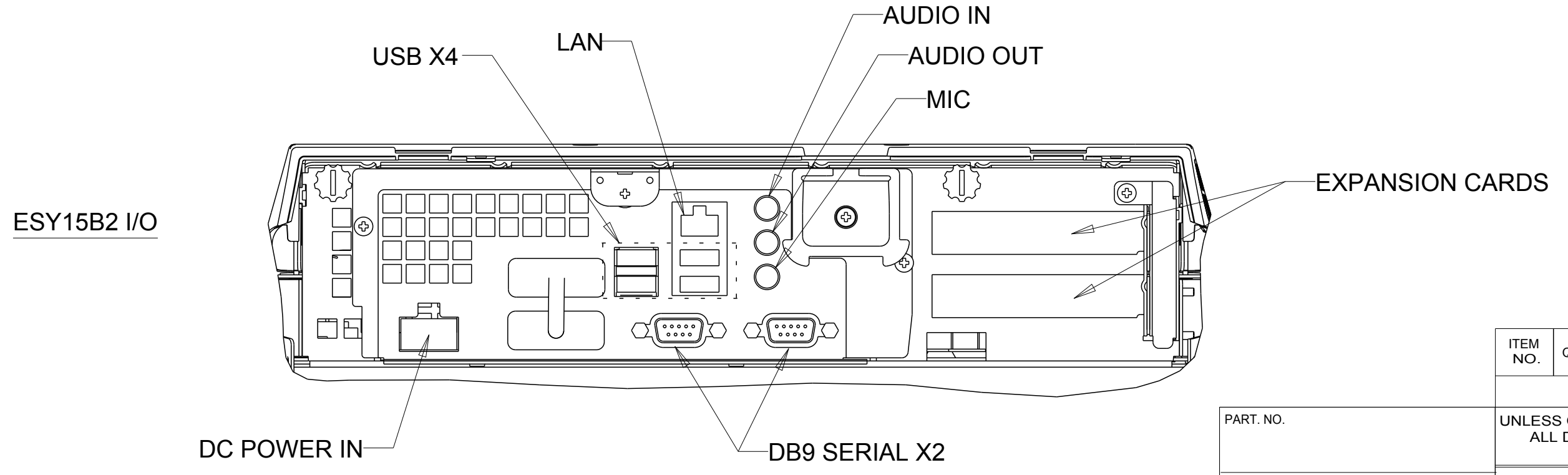
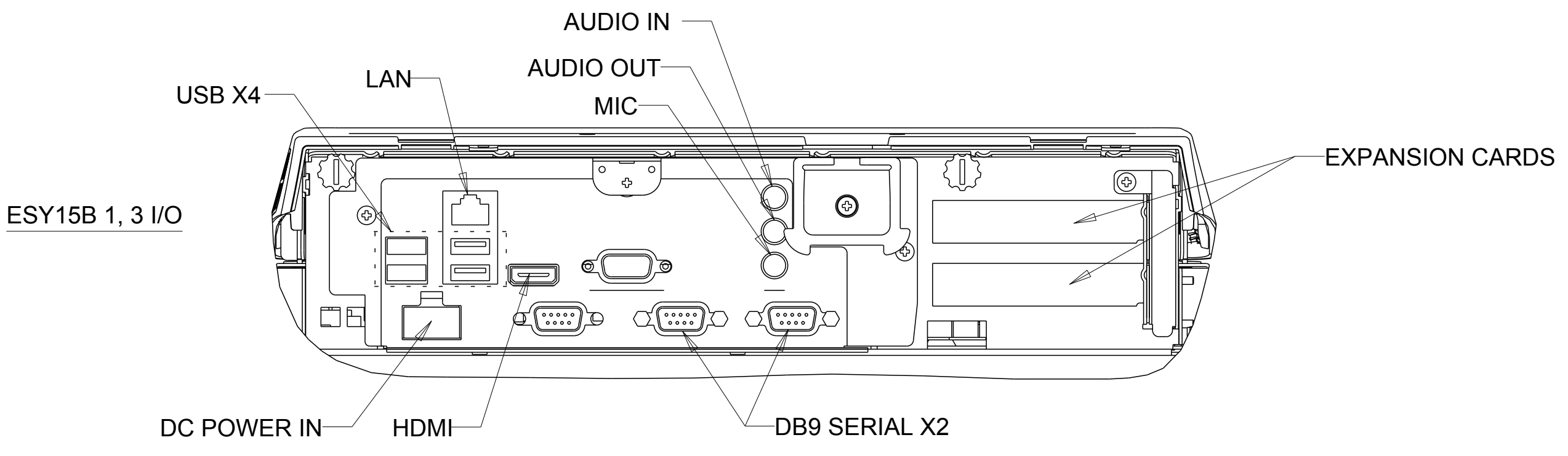
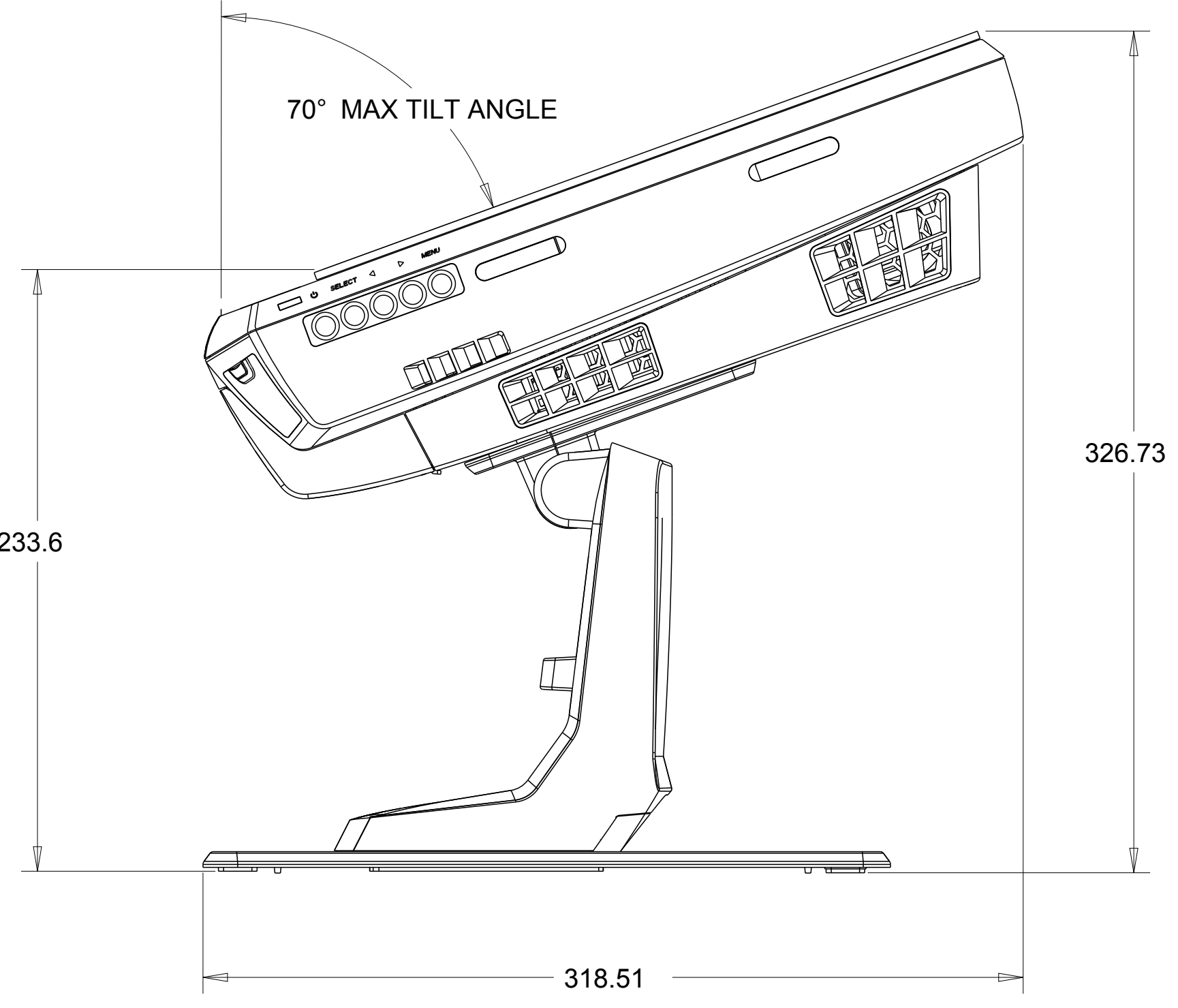
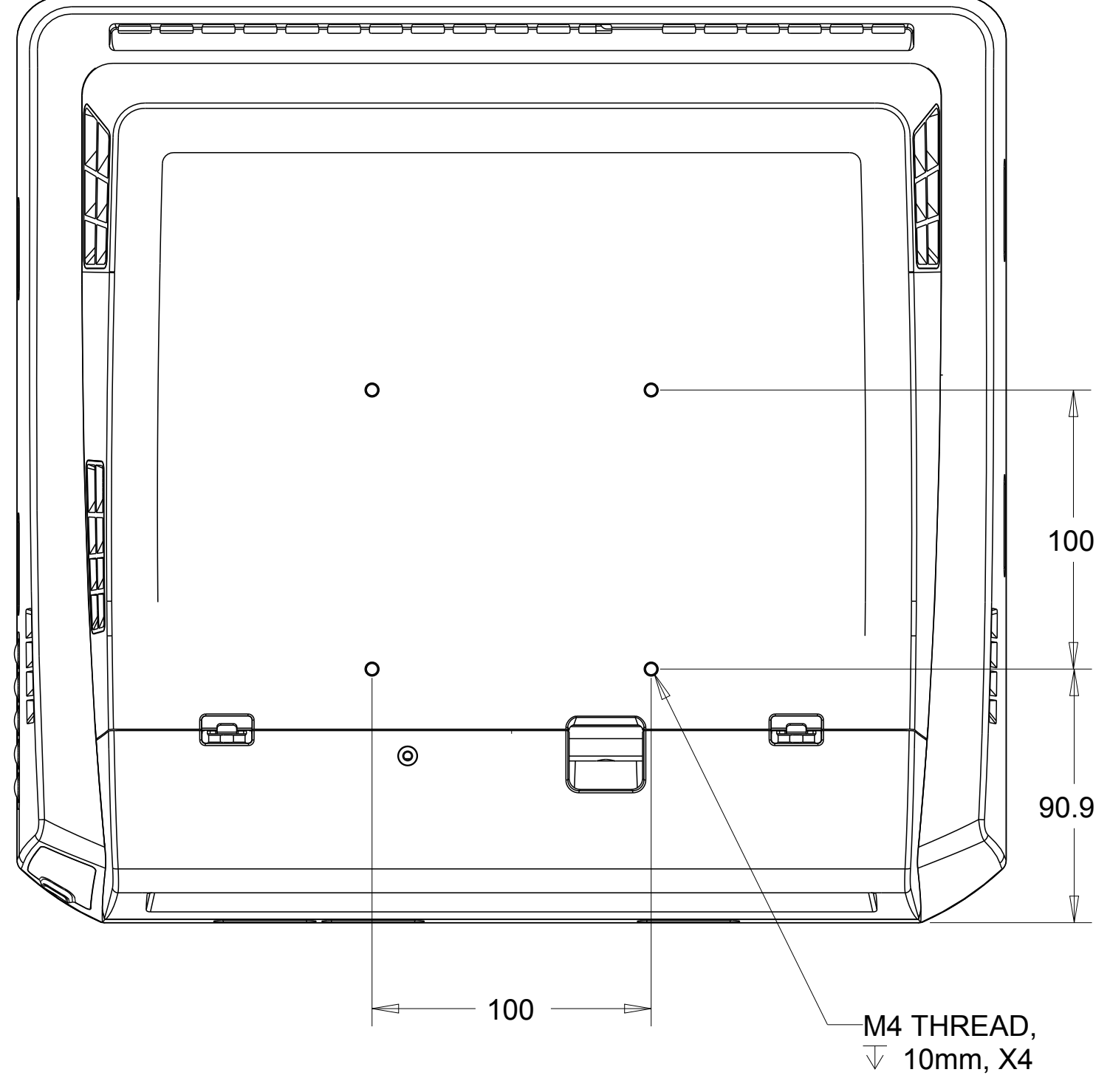
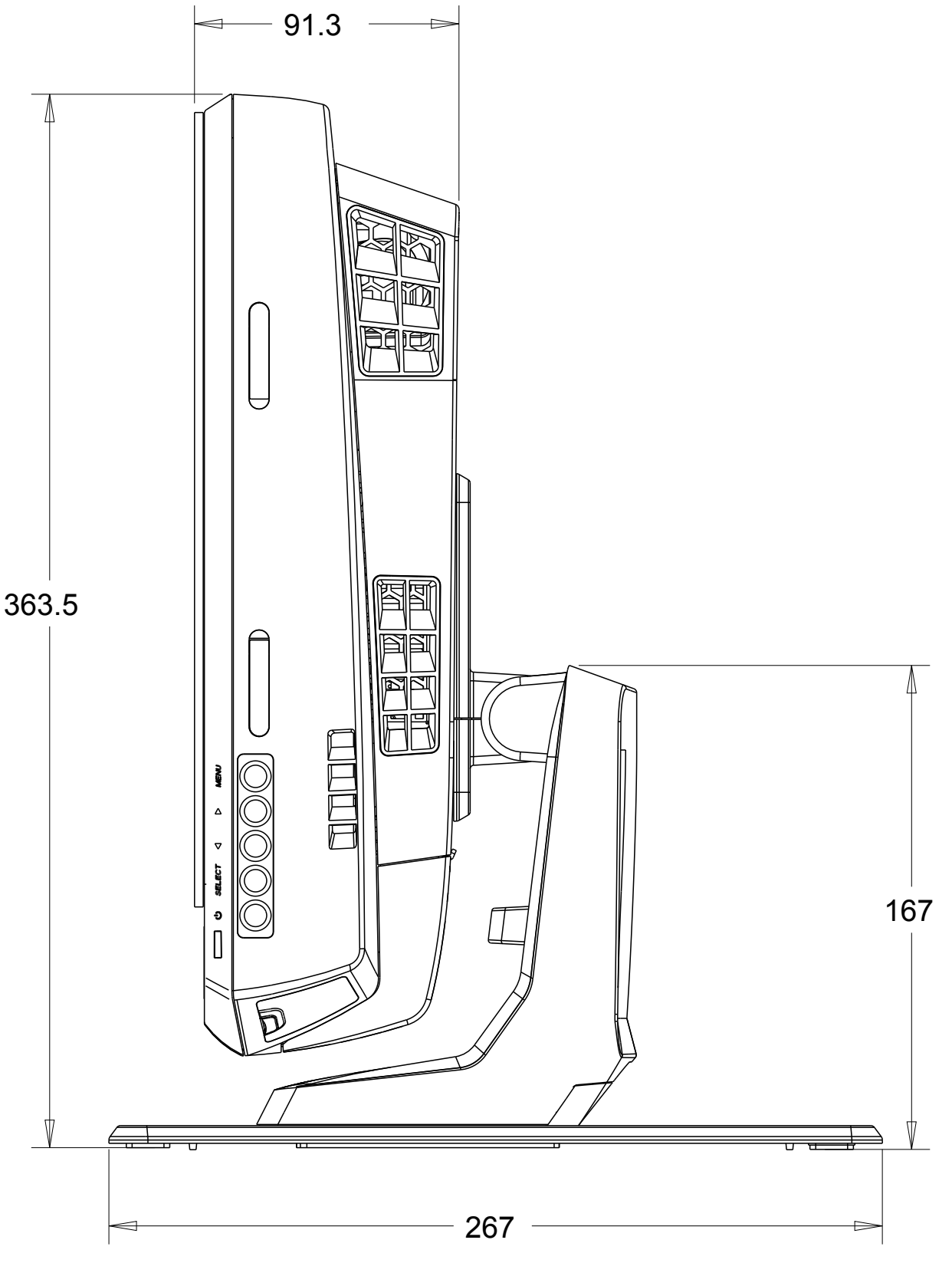
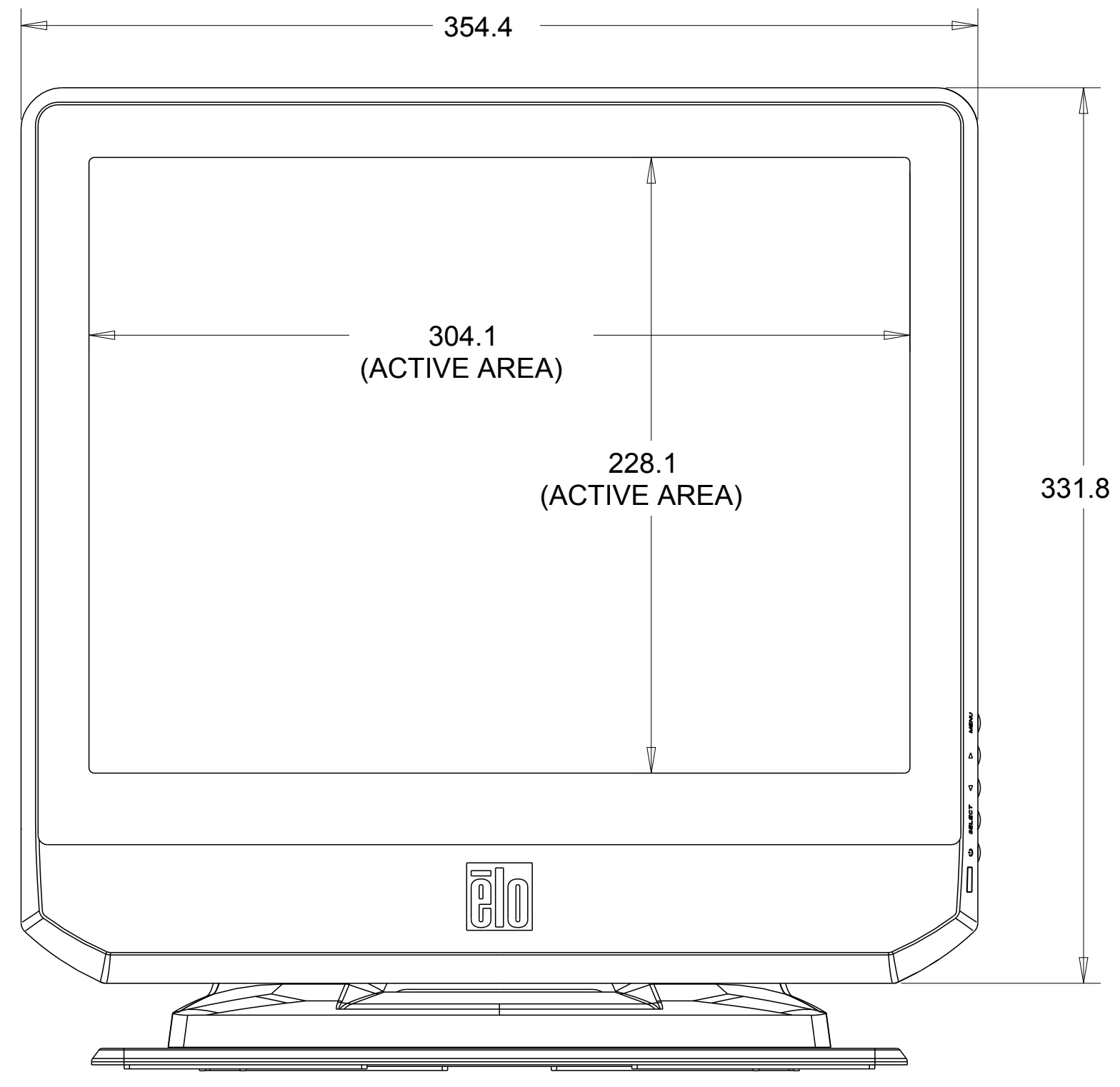


PROPRIETARY TO ELO TOUCH SOLUTIONS, INC. AND SHALL NOT BE DISCLOSED OTHER THAN TO NECESSARY EMPLOYEES OR SUPPLIERS WITHOUT THE EXPRESS WRITTEN CONSENT OF ELO TOUCH SOLUTIONS INC.

REVISIONS					
REV	ZONE	BY	DESCRIPTION	DATE	APPROVED
A	--	KJN	INITIAL RELEASE	07/16/10	
C	--	DI	REVISED PER ECO-12-016378, ELO TB WAS TE	09/25/12	



ITEM NO.	QTY REQ'D	DRAWING OR PART NO.	DESCRIPTION	MATERIAL SPECIFICATION
PARTS LIST				
PART. NO.		UNLESS OTHERWISE SPECIFIED ALL DIMENSIONS ARE IN MILLIMETERS	DRAWN KEN NORTH	DATE 00.00.00
METRIC		TOLERANCES ARE: DECIMALS ANGLES X ±: 0.50 ±1/2° X ±: 0.25 FRACTIONS XX ±: 0.13 ±1/32	CHECK	DATE
			DESIGN KEN NORTH	DATE 00.00.00
DO NOT SCALE DRAWING		THIRD ANGLE PROJECTION		<div style="text-align: center;"> </div>
Pro/E prt/asm: 15B_TOP_IO.PRT Pro/E drw: MS600845_REVC.DRW		SIZE D	SCALE 0.666	
		DWG. NO. MS600845	REV C	

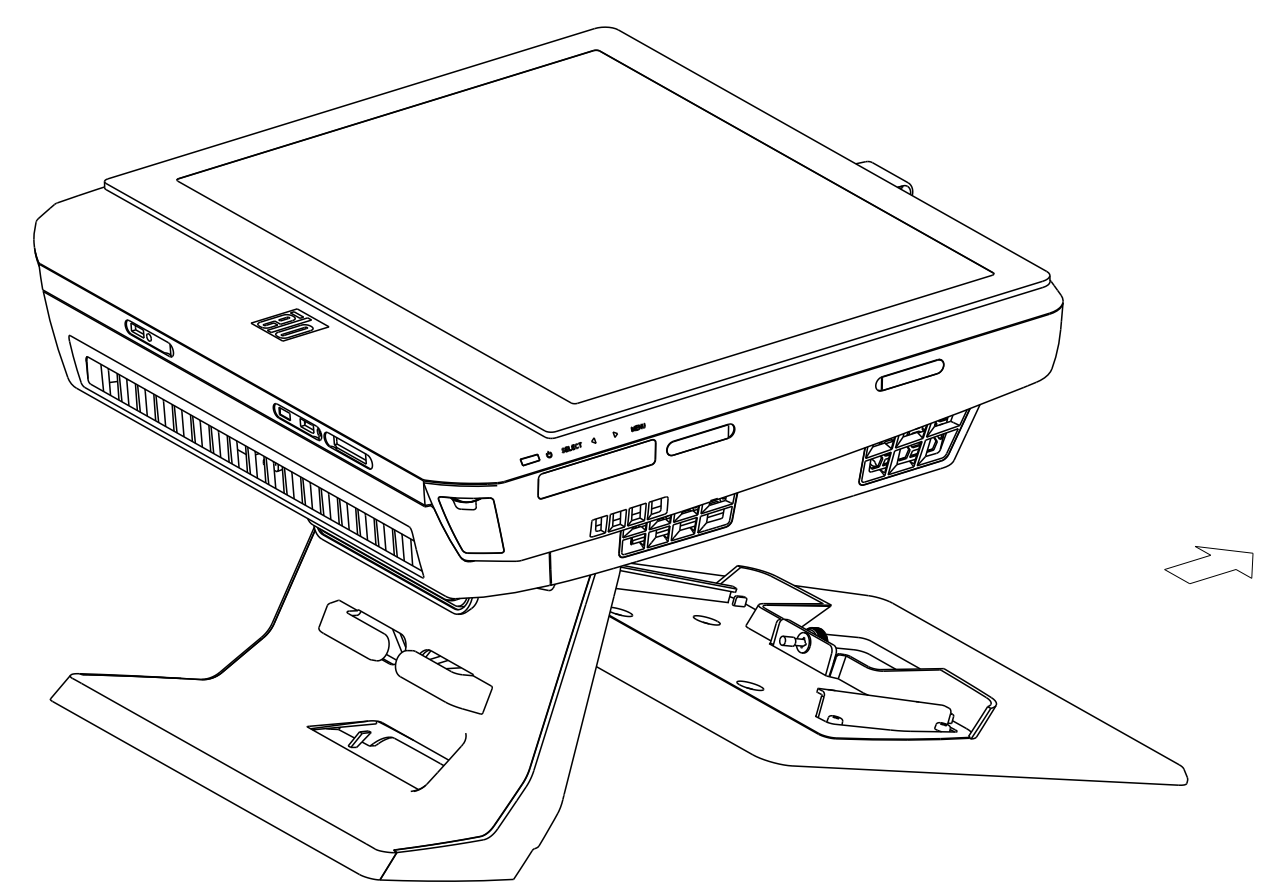
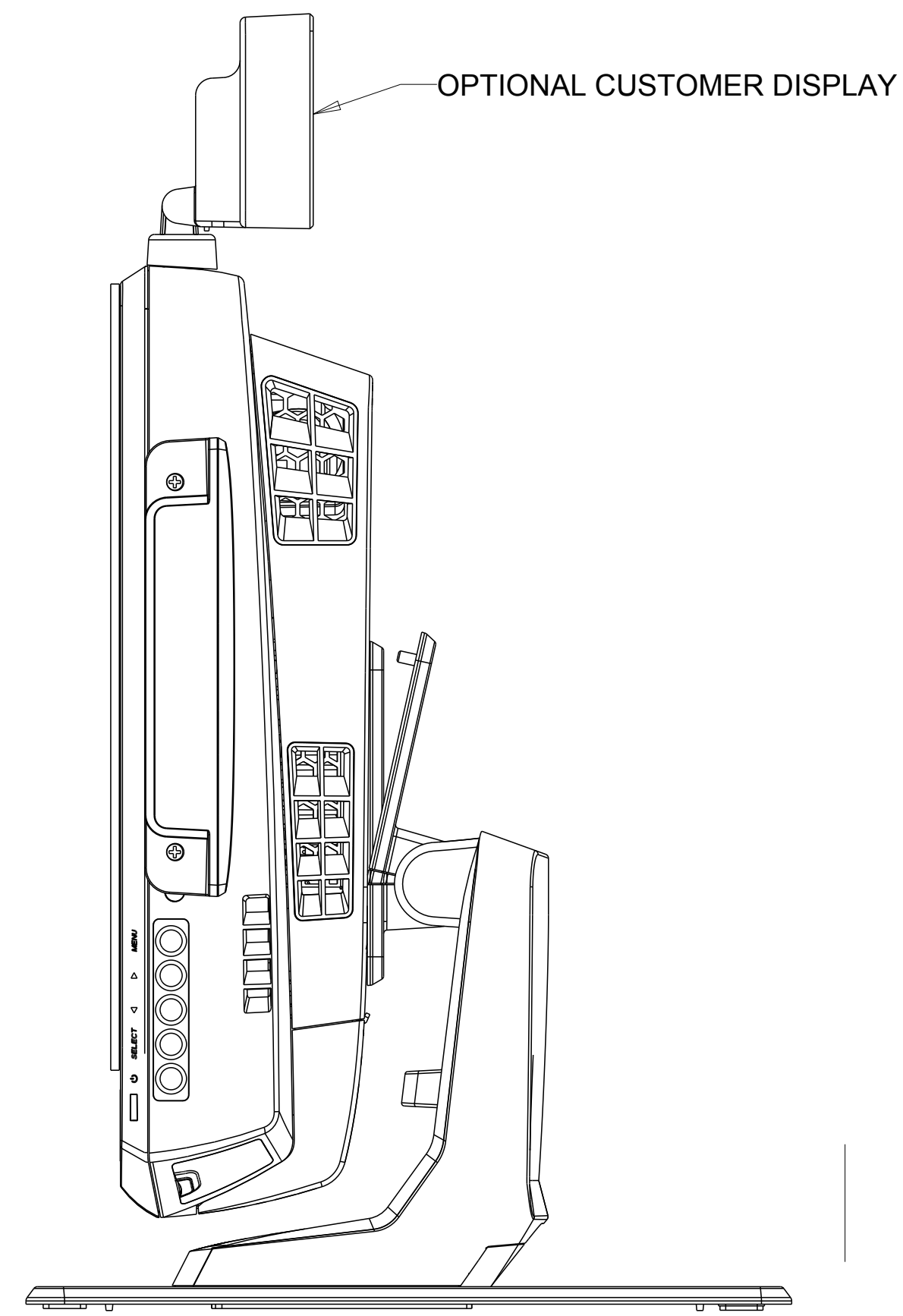
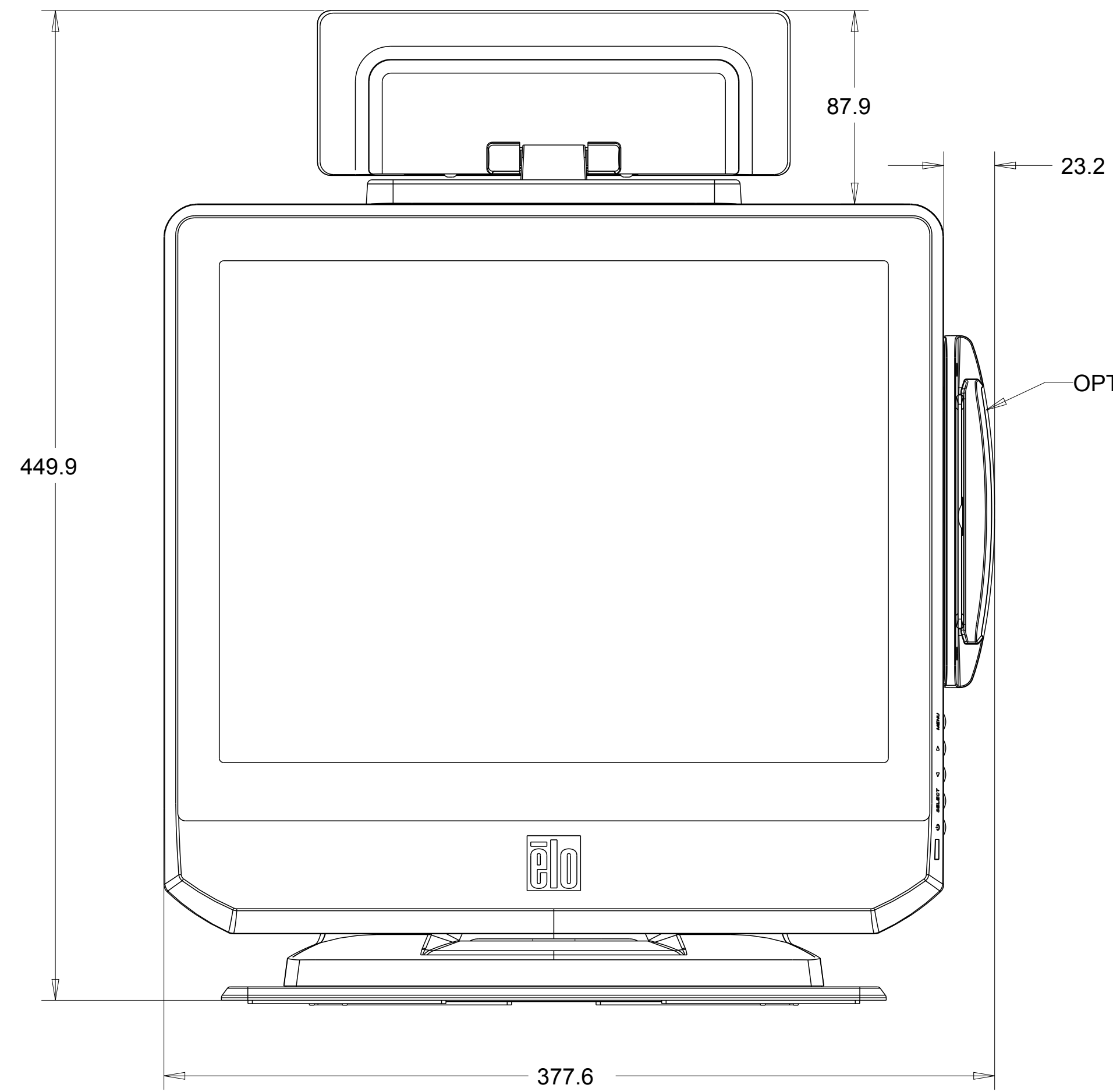
DIMENSIONAL
DRAWING
ESY15Bx



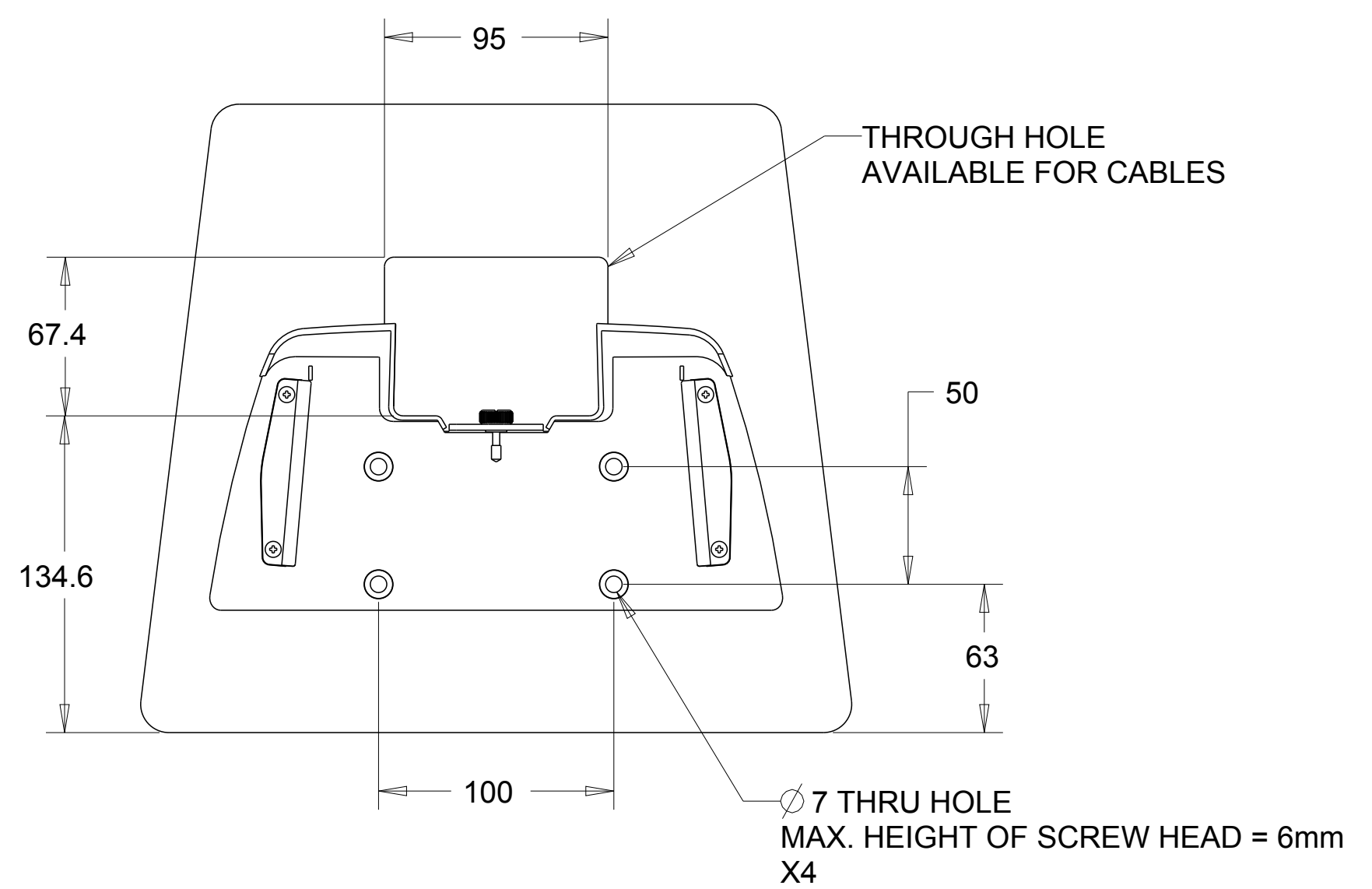
DWG. NO. MS600845 SHT. 1 OF 3 REV. C

PROPRIETARY TO ELO TOUCH SOLUTIONS, INC. AND SHALL NOT BE DISCLOSED OTHER THAN TO NECESSARY EMPLOYEES OR SUPPLIERS WITHOUT THE EXPRESS WRITTEN CONSENT OF ELO TOUCH SOLUTIONS INC.

REVISIONS					
REV	ZONE	BY	DESCRIPTION	DATE	APPROVED
			SEE SHEET ONE		



MOUNTING TROUGH HOLES LOCATED ON THE STAND PLATE.

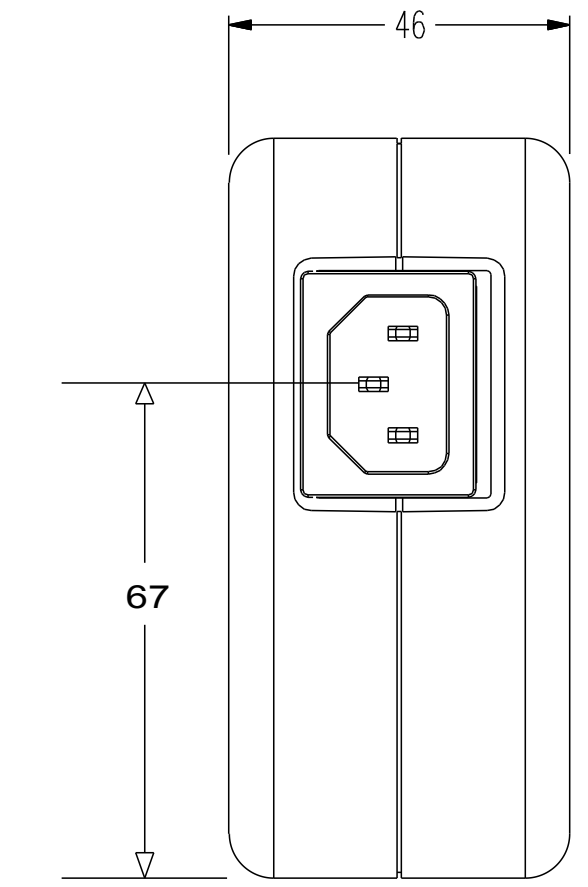
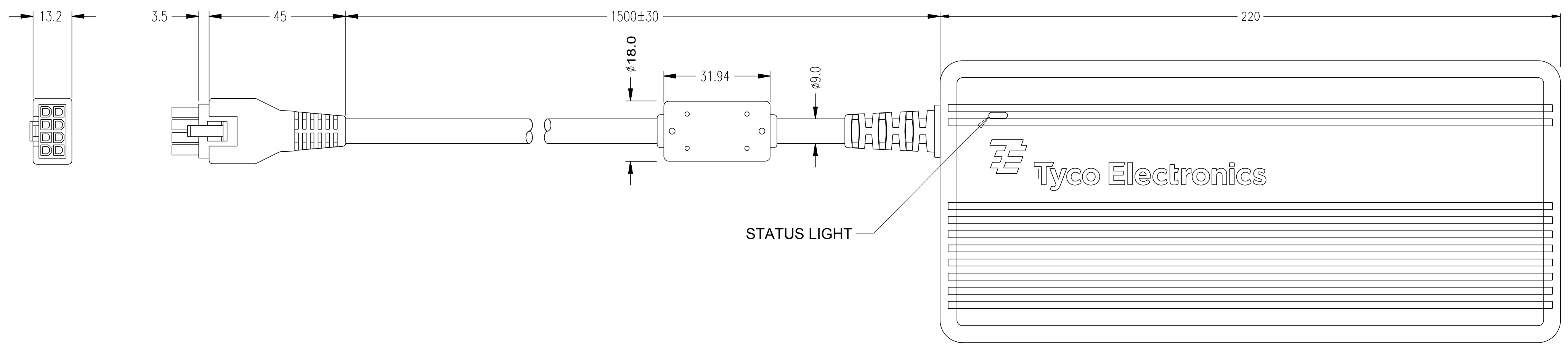


ITEM NO.	QTY REQ'D	DRAWING OR PART NO.	DESCRIPTION	MATERIAL SPECIFICATION
PARTS LIST				
PART. NO.		UNLESS OTHERWISE SPECIFIED ALL DIMENSIONS ARE IN MILLIMETERS	DRAWN KEN NORTH	DATE 00.00.00
METRIC		TOLERANCES ARE: DECIMALS ANGLES X ±: 0.50 ±1/ 2" X ±: 0.25 FRACTIONS XX ±: 0.13 ±1/ 32	CHECK	DATE
			DESIGN KEN NORTH	DATE 00.00.00
THIRD ANGLE PROJECTION				
DO NOT SCALE DRAWING				TITLE DIMENSIONAL DRAWING ESY15Bx
Pro/E prt/asm: 15B_TOP_IO.PRT Pro/E drw: MS600845_REVC.DRW				SIZE D
		DWG. NO. MS600845		REV C

SHT 2 OF 3 REV C DWG. NO. MS600845

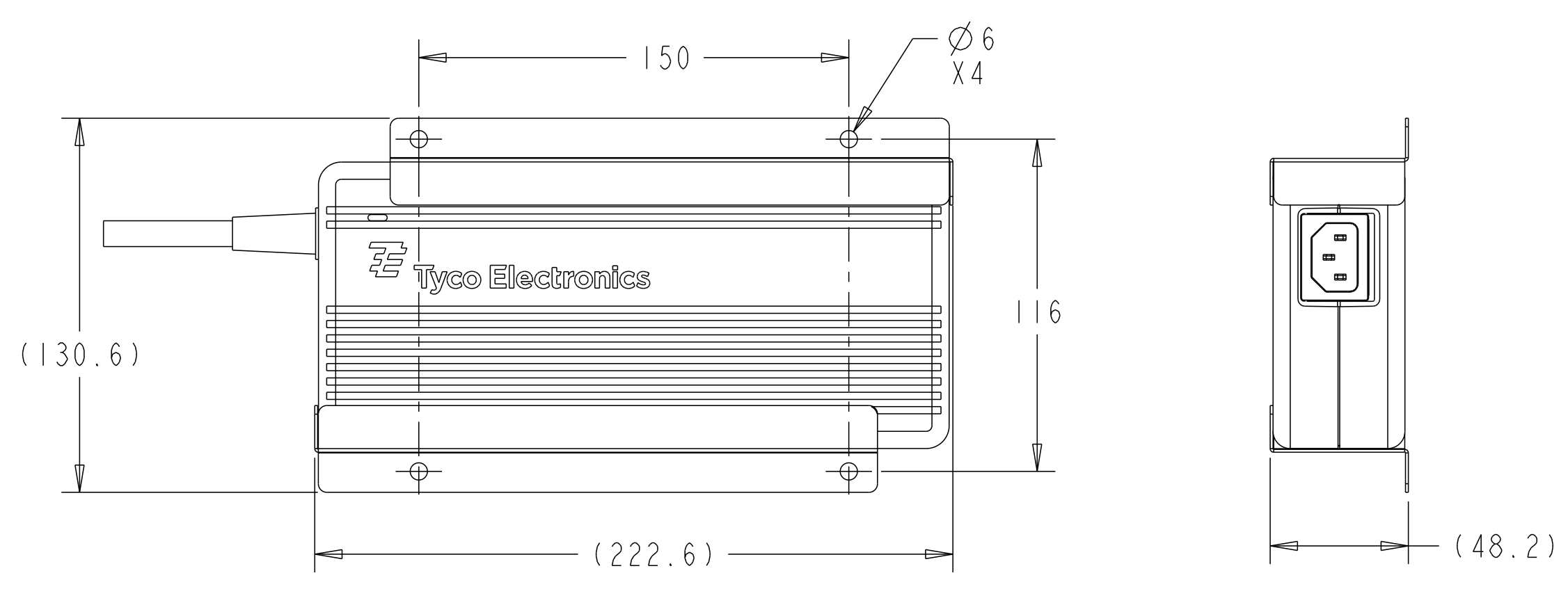
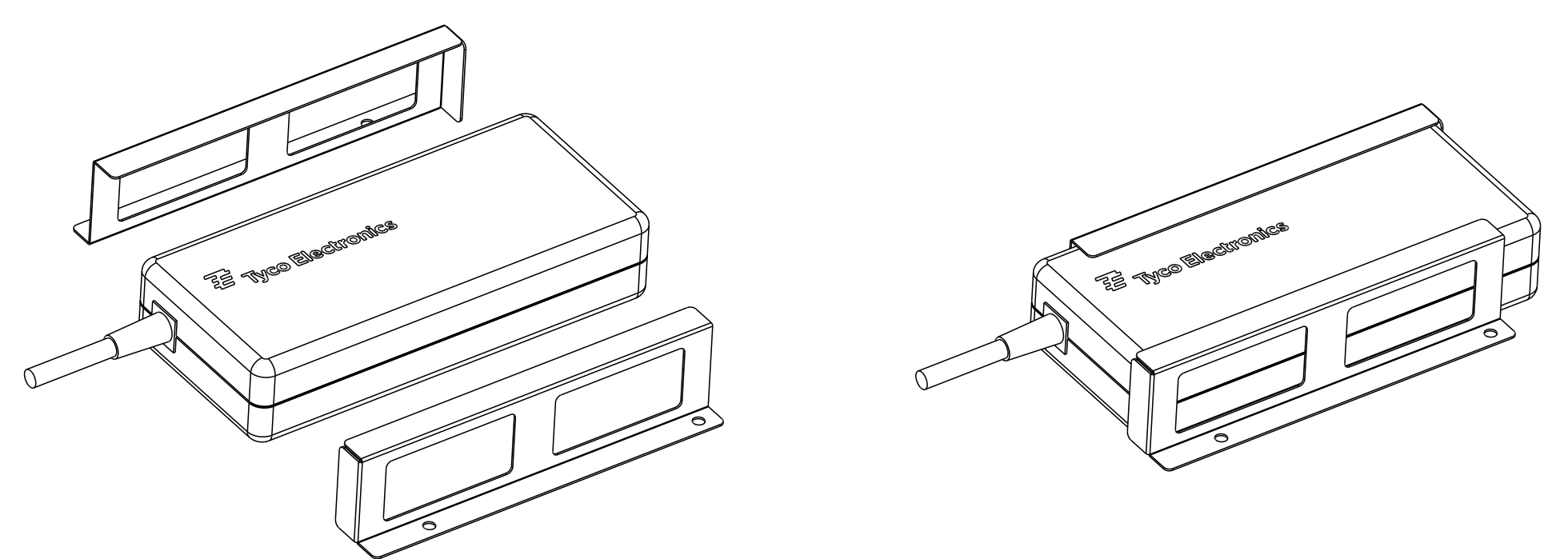
PROPRIETARY TO ELO TOUCH SOLUTIONS, INC. AND SHALL NOT BE DISCLOSED OTHER THAN TO NECESSARY EMPLOYEES OR SUPPLIERS WITHOUT THE EXPRESS WRITTEN CONSENT OF ELO TOUCH SOLUTIONS INC.

REVISIONS					
REV	ZONE	BY	DESCRIPTION	DATE	APPROVED
			SEE SHEET ONE		



POWER BRICK

MOUNTING BRACKET KIT DETAILS



ITEM NO.	QTY REQ'D	DRAWING OR PART NO.	DESCRIPTION	MATERIAL SPECIFICATION
PARTS LIST				
PART. NO.		UNLESS OTHERWISE SPECIFIED ALL DIMENSIONS ARE IN MILLIMETERS	DRAWN KEN NORTH	DATE 00.00.00
METRIC		TOLERANCES ARE: DECIMALS ±1/2" ANGLES ±1/2° FRACTIONS ±1/32	CHECK KEN NORTH	DATE 00.00.00
DO NOT SCALE DRAWING			THIRD ANGLE PROJECTION	
Title		DIMENSIONAL DRAWING		
		ESY15Bx		
Pro/E prt/asm: 15B_TOP_IO.PRT	SIZE D	SCALE 0.666	SHEET 3 OF 3	DWG. NO. MS600845
Pro/E drw: MS600845_REVC.DRW				REV C

SHT 3 OF 3 REV C DWG. NO. MS600845