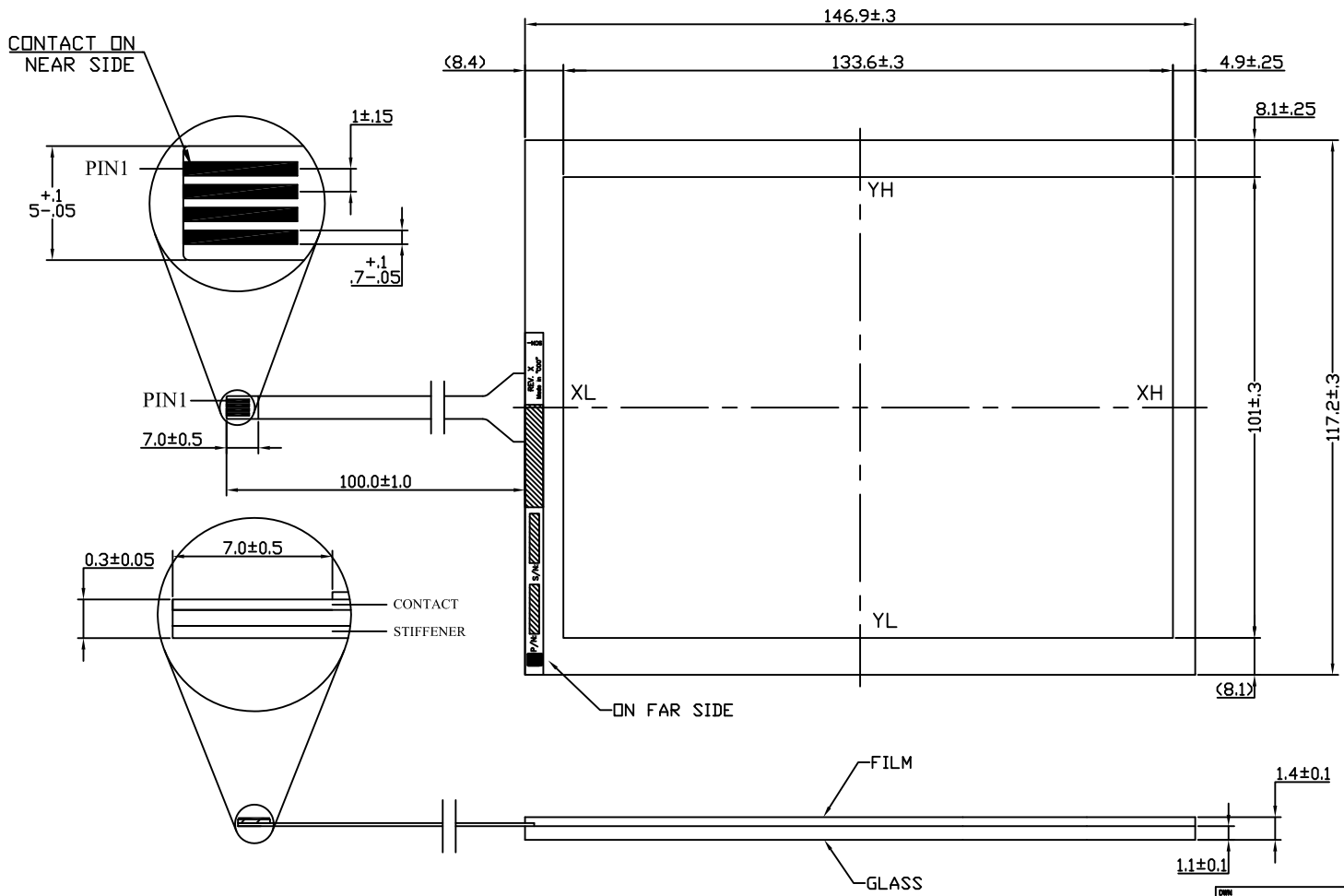


NOTES:

1. GLASS THICKNESS 1.1 ± 0.1 mm.
2. FINISHED PART THICKNESS 1.4 ± 0.1 mm.
3. LABEL TO BE ATTACHED ON THE GLASS SIDE AS SHOWN.
4. CABLE IS ATTACHED TO THE LEFT SIDE OF TOUCHSCREEN AT CENTER POINT AS SHOWN.
5. PET COVERSHEET ON NEAR SIDE.

CONNECTOR PINOUT	
PIN NO.	DESIGNATION
1	XH
2	YH
3	XL
4	YL

THIS DRAWING IS A CONTROLLED DOCUMENT. P/N: MS600658



THIS INFORMATION IS CONFIDENTIAL AND PROPRIETARY TO TYCO ELECTRONICS CORPORATION AND ITS WORLDWIDE SUBSIDIARIES AND SHOULD BE KEPT CONFIDENTIAL. IT IS NOT TO BE REPRODUCED, COPIED, EITHER WHOLLY OR IN PART, OR TRANSMITTED IN ANY MANNER WITHOUT WRITTEN AUTHORIZATION FROM TYCO ELECTRONICS CORPORATION, HARRISBURG, PENNSYLVANIA, USA.

LOC 08
DIST 08

P	LTR	REVISION RECORD	DATE	DN	APVD
B		RELEASE TO PRODUCTION PER ECO-09-017427	07/27/09	N	NG
A		INITIAL RELEASE PER ECO-08-014129	06/12/09	N	NG

DIMENSIONS: mm		TOLERANCES UNLESS OTHERWISE SPECIFIED:	
0 PLC	± 1.00	1 PLC	± 0.76
1 PLC	± 0.76	2 PLC	± 0.51
2 PLC	± 0.51	3 PLC	± 0.25
3 PLC	± 0.25	4 PLC	± 0.20
4 PLC	± 0.20		

DN	LEO Alejandro	02/12/08	MATERIAL	AT4 FOUR-WIRE (RESISTIVE)	HEAT TREAT	N/A
QW	X Sen	8-01-09	Tyco Electronics Corporation Harrisburg, PA 17105-3608			
NAME	MARKETING DRAWING					
SCALE	NTS	SIZE	A2	DRAWING NO	MS600658	SHEET 1 of 1
REV	B					