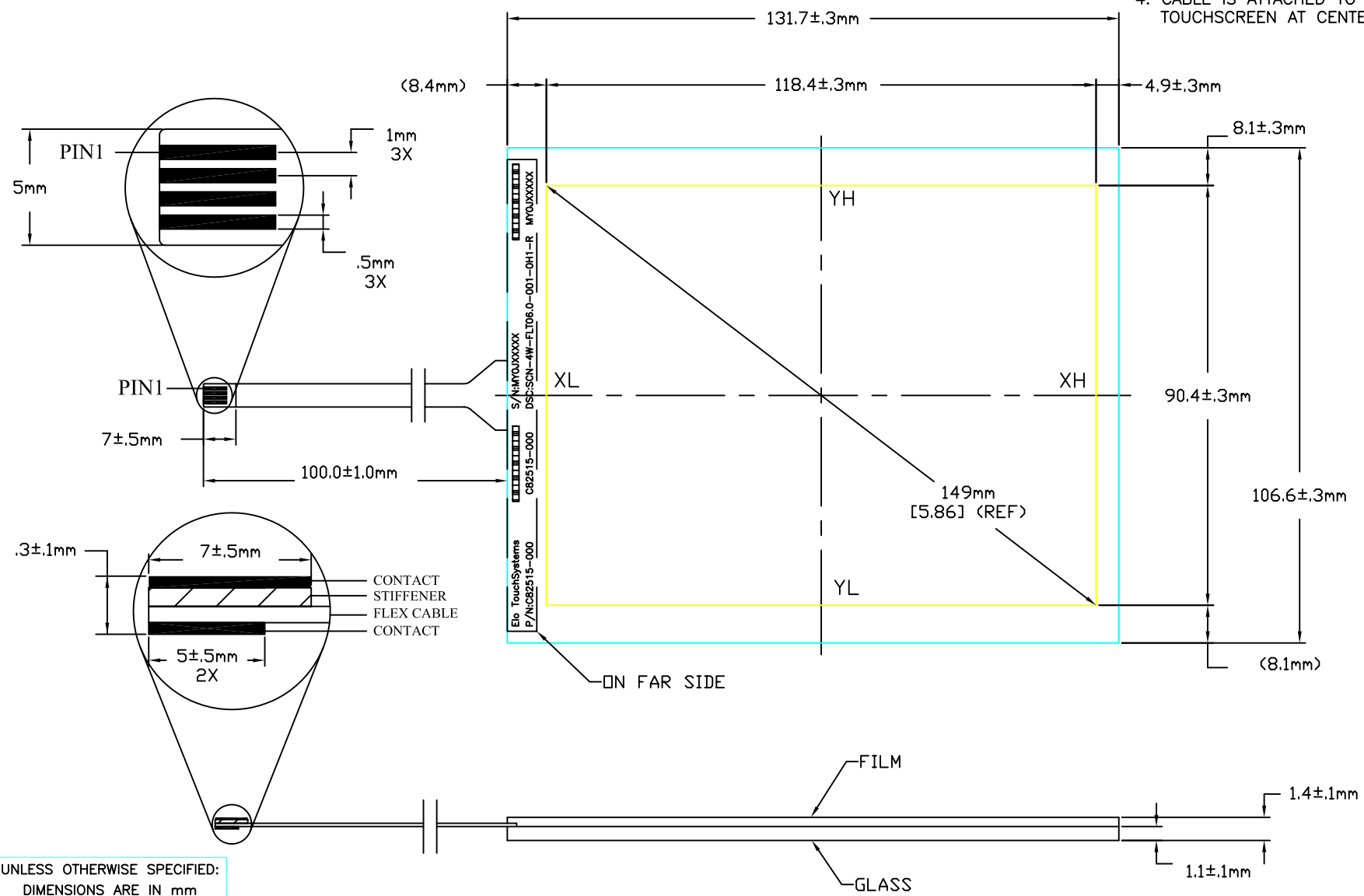


CONNECTOR PINOUT	
PIN NO.	DESIGNATION
1	XH
2	YH
3	XL
4	YL

AT4 FOUR-WIRE TOUCHSCREEN
 SCN-4W-FLT05.7-001-0H1-R
 ELO P/N: C82515-000

- NOTES:**
- GLASS THICKNESS 1.1±0.1mm.
 - FINISHED PART THICKNESS 1.4±0.1mm.
 - LABEL TO BE ATTACHED ON THE GLASS SIDE AS SHOWN.
 - CABLE IS ATTACHED TO THE LEFT SIDE OF TOUCHSCREEN AT CENTER POINT AS SHOWN.



UNLESS OTHERWISE SPECIFIED:
 DIMENSIONS ARE IN mm

