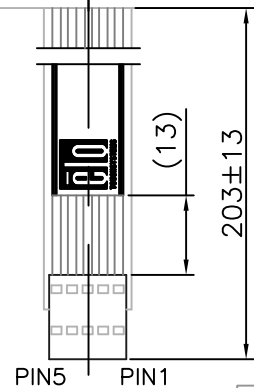
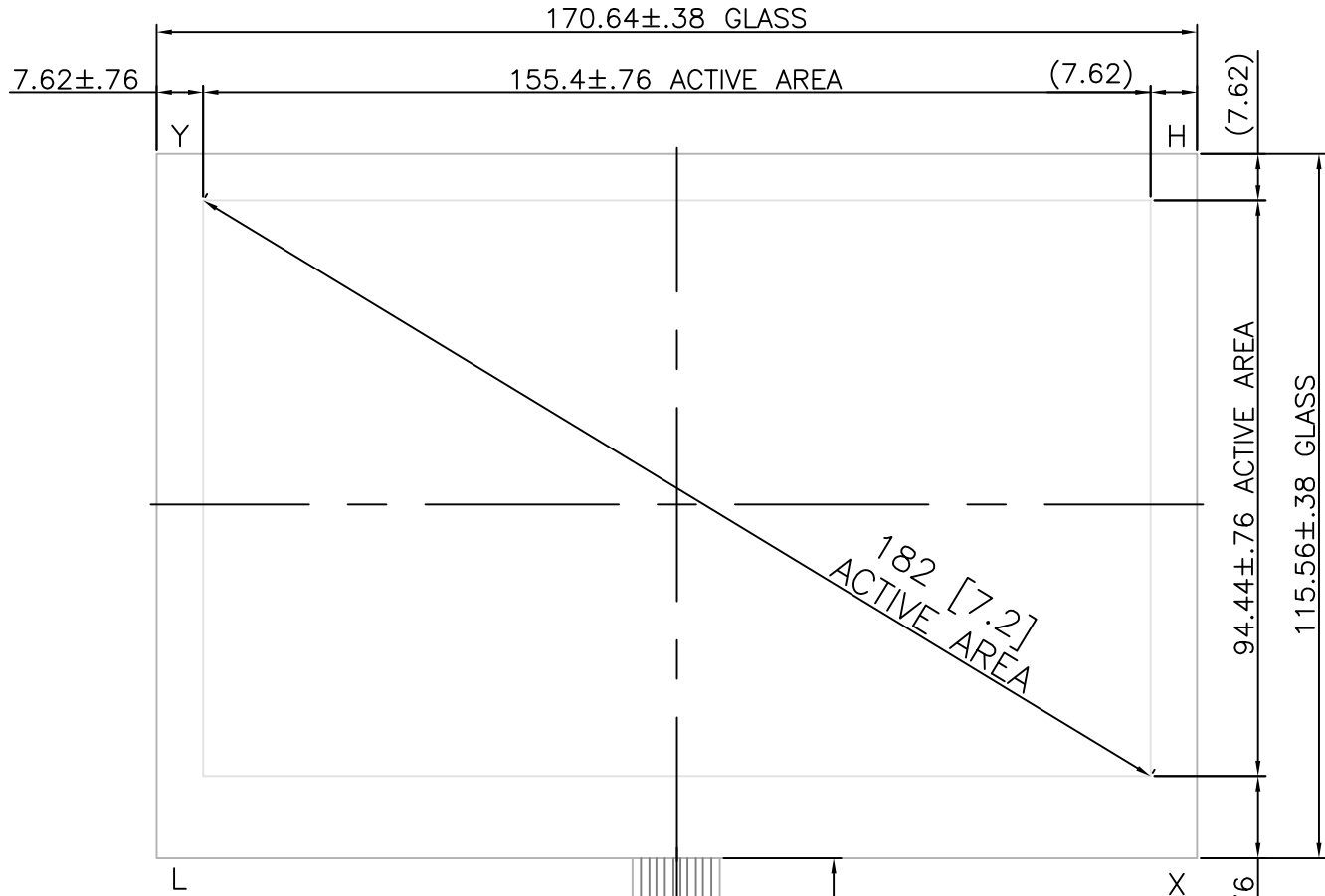


2.69±.4
SCREEN
2.36
(GLASS)

COVERSHEET

AMP #487378-4
OR EQUIVALENT



NOTES:
 1. GLASS THICKNESS 2.36 NOMINAL.
 2. FINISHED PART THICKNESS 2.69 +0.5mm/-0.0mm.

CONNECTOR PINOUT	
PIN NO	DESIGNATION
1	H
2	X
3	S
4	Y
5	L

DWG	Q. CHUNG	08/31/10	MATERIAL	RESISTIVE (ACCU TOUCH)	HEAT TREAT	N/A
CHK						N/A
APVD	RB	1/28/11	Tyco Electronics Corporation Harrisburg, PA 17105-3608			
NAME	MARKETING DRAWING					
SCALE	1:1	SIZE	A2	DRAWING NO	MS600987	SHEET 1 OF 1
REV	B					

REV	DESCRIPTION	DATE	BY	CHK
B	ECO-11-007278: FINISHED PART THICKNESS 2.36 +0.5mm/-0.0mm.	4/13/11	RB	
A	ECO-11-000057 : INITIAL RELEASE	01/03/11	QC	
P	LTR	REVISION RECORD	DATE	DWG
				APVD

DIMENSIONS:		TOLERANCES UNLESS OTHERWISE SPECIFIED:	
mm		0 PLC	± 1.00
		1 PLC	± 0.76
		2 PLC	± 0.51
		3 PLC	± 0.25
		4 PLC	± 0.20
ANGLES:		S	
SURFACE TEXTURE:		N/A	

THIS INFORMATION IS CONFIDENTIAL AND PROPRIETARY TO TYCO ELECTRONICS CORPORATION AND ITS WORLDWIDE SUBSIDIARIES AND SHOULD BE KEPT CONFIDENTIAL. IT IS NOT TO BE REPRODUCED OR TRANSMITTED IN ANY FORM OR BY ANY MEANS, ELECTRONIC OR MECHANICAL, INCLUDING PHOTOCOPYING, RECORDING, OR BY ANY INFORMATION STORAGE AND RETRIEVAL SYSTEM, WITHOUT THE WRITTEN PERMISSION OF TYCO ELECTRONICS CORPORATION, HARRISBURG, PENNSYLVANIA, USA.

LOC 08
DIST 08