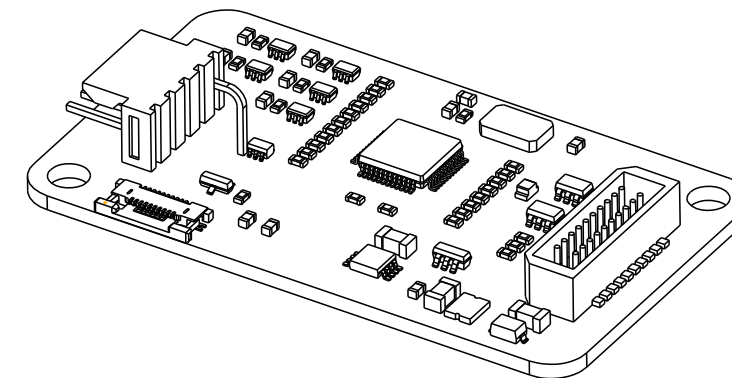
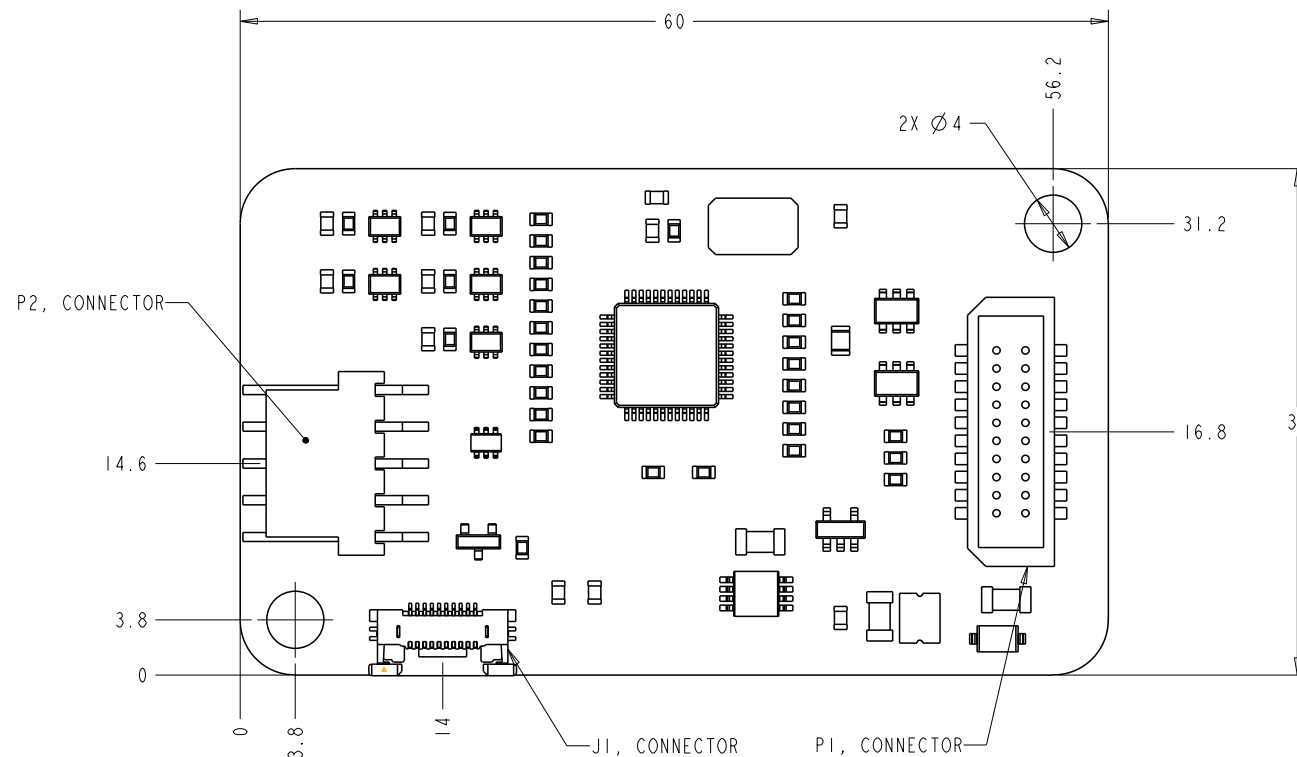
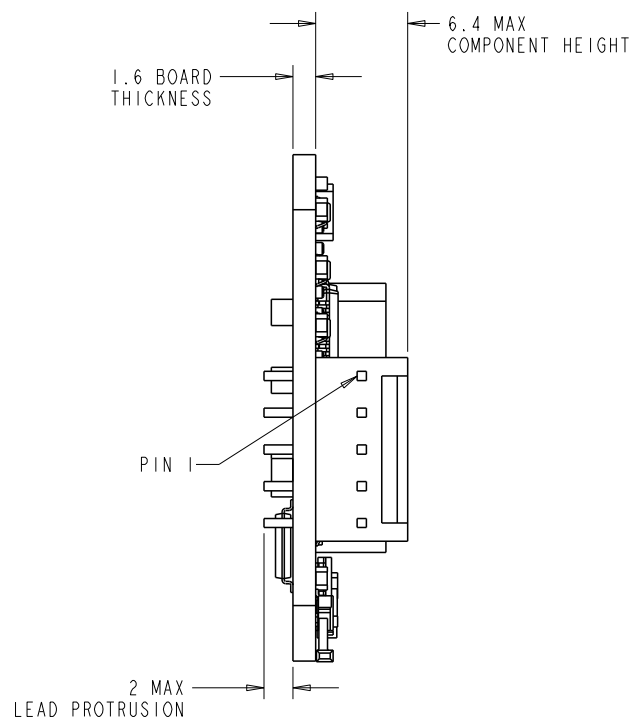


PROPRIETARY TO ELO TOUCHSYSTEMS, INC. AND SHALL NOT BE DISCLOSED OTHER THAN TO NECESSARY EMPLOYEES OR SUPPLIERS WITHOUT THE EXPRESS WRITTEN CONSENT OF ELO TOUCHSYSTEMS INC.

ELO TOUCHSCREEN CONTROLLER

CTR-221800-AT-RSU-00R

| REVISIONS | | | | | |
|-----------|------|-----|-----------------------------|---------|----------|
| REV | ZONE | BY | DESCRIPTION | DATE | APPROVED |
| A | -- | JMc | RELEASED PER ECO 11-012037. | 6/13/11 | G. CHONG |



CONNECTOR P1
POWER AND COMMUNICATION
PIN OUT INFORMATION

| SIGNAL NAME | P1 PIN | SIGNAL FUNCTION |
|-------------|--------|--|
| VBUS | 1 | USB VBUS |
| GND | 2 | GROUND |
| D- | 3 | USB DATA - |
| D+ | 4 | USB DATA + |
| +5V | 5 | +5 VOLT |
| GND | 6 | GROUND |
| SDA | 7 | I2C SDA |
| NC | 8 | NO CONNECTION |
| LED | 9 | LED TOUCH STATUS AND SYSTEM HEALTH STATUS |
| NRST | 10 | RESET SIGNAL |
| HDCD | 11 | +3.3V |
| HDSR | 12 | +3.3V |
| HRxD | 13 | SERIAL DATA FROM CONTROLLER TO HOST |
| HRTS | 14 | REQUEST TO SEND, HANDSHAKE = 0 (POSITIVE) WHEN CONTROLLER MAY SEND |
| HTxD | 15 | SERIAL DATA FROM HOST TO CONTROLLER |
| HCTS | 16 | CLEAR TO SEND, HANDSHAKE = 0 (POSITIVE) WHEN HOST MAY SEND |
| HDTR | 17 | DATA TERMINAL READY, HANDSHAKE = 0 (POSITIVE) WHEN CONTROLLER MAY SEND |
| SCL | 18 | I2C SCL |
| GND | 19 | SIGNAL GROUND |
| NC | 20 | NO CONNECTION |

CONNECTOR P2
SCREEN CONNECTOR - 5 WIRES
PIN OUT INFORMATION

| SIGNAL NAME | P1 PIN | SIGNAL FUNCTION |
|-------------|--------|--|
| H | 1 | DRIVE SIGNAL ATTACHED TO THE TOUCHSCREEN SUBSTRATE UPPER RIGHT CORNER WHEN VIEWED FROM A USER'S PERSPECTIVE. |
| X | 2 | DRIVE SIGNAL ATTACHED TO THE SUBSTRATE LOWER RIGHT CORNER |
| S | 3 | "SENSE" SIGNAL ATTACHED TO THE TOUCHSCREEN COVERSHEET. |
| Y | 4 | DRIVE SIGNAL ATTACHED TO THE SUBSTRATE UPPER LEFT CORNER |
| L | 5 | DRIVE SIGNAL ATTACHED TO THE SUBSTRATE LOWER LEFT CORNER |

CONNECTOR J1
JTAG CONNECTOR
PIN OUT INFORMATION

| SIGNAL NAME | P1 PIN | SIGNAL FUNCTION |
|-------------|--------|------------------|
| GND | 1 | GROUND |
| NRST | 2 | RESET SIGNAL |
| NC | 3 | NO CONNECTION |
| NC | 4 | NO CONNECTION |
| +3.3V | 5 | +3.3 VOLT |
| JTCK | 6 | TEST CLOCK |
| JTMS | 7 | TEST MODE SELECT |
| NC | 8 | NO CONNECTION |
| NC | 9 | NO CONNECTION |
| GND | 10 | GROUND |

| GEMIS NUMBER | DESCRIPTION |
|--------------|-----------------------|
| E329179 | CTR-221800-AT-RSU-00R |

| ITEM NO. | QTY REQ'D | DRAWING OR PART NO. | DESCRIPTION | MATERIAL SPECIFICATION |
|--------------------------------|-----------|------------------------|-------------|------------------------|
| PARTS LIST | | | | |
| PART. NO. E329179 | | DRAWN J. MCKENRICK | | DATE 09/13/10 |
| METRIC | | CHECK | | DATE |
| DO NOT SCALE DRAWING | | DESIGN R. DIETZ | | DATE 09/13/10 |
| ProjE: pr11.asm E329179_PRT | | THIRD ANGLE PROJECTION | | |
| ProjE: drw: MS600954.DRW | | SIZE D | | SCALE 4.000 |
| | | SHEET 1 OF 1 | | DWG. NO. MS600954 |
| | | REV A | | |

DWG. NO. MS600954