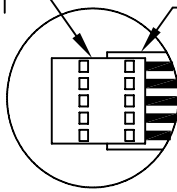


| CONNECTOR PINOUT | |
|------------------|-------------|
| PIN NO. | DESIGNATION |
| 1 | H |
| 2 | X |
| 3 | S |
| 4 | Y |
| 5 | L |

TYCO (AMP)
487378-4
OR EQUIVALENT

PIN 1
PIN 5

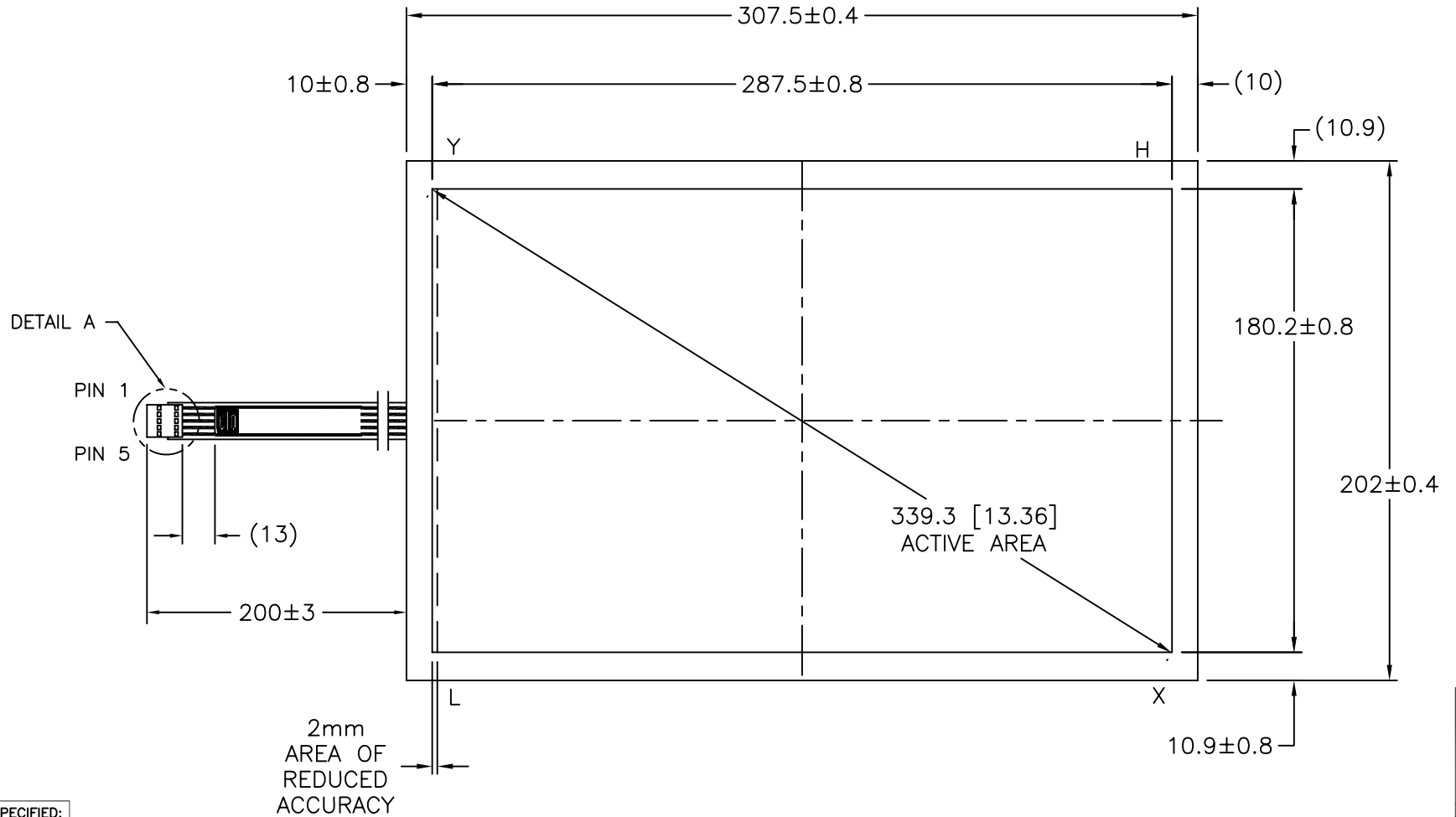


CABLE
5 POSITION
DETAIL A
NTS

ACCUTOUCH® TOUCHSCREEN
SCN-A5-FLT13.3-F01-0H1-R
PART NUMBER: E385171

NOTES:

1. FINISHED PART THICKNESS 2.66 MM NOMINAL.
2. THE BORDER AREA OF THE TOUCHSCREEN IS FLAT WITHIN $\pm 0.05\text{mm}$.



UNLESS OTHERWISE SPECIFIED:
DIMENSIONS ARE mm