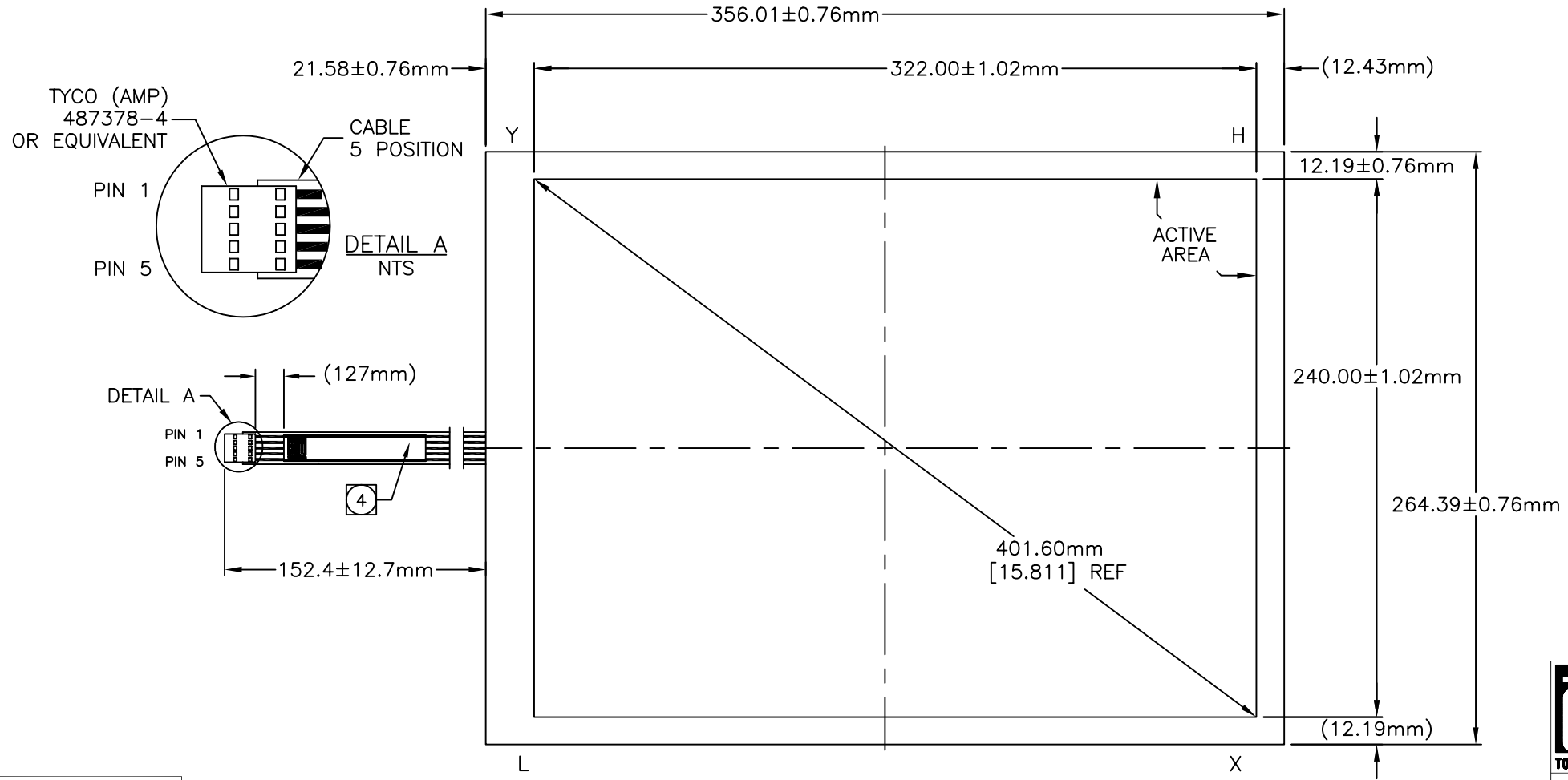


CONNECTOR PINOUT	
PIN NO.	DESIGNATION
1	H
2	X
3	S
4	Y
5	L

ACCUTOUCH® TOUCHSCREEN
 SCN-A5-FCR17.1-001-0H1-R
 ELO P/N: E574746

- NOTES:
1. GLASS THICKNESS 3.18mm NOMINAL.
 2. FINISHED PART THICKNESS 3.48mm NOMINAL.
 3. FINISHED PART THICKNESS AT CABLE ATTACHMENT AREA 4.24mm MAX.
 - ④ LABEL TO BE ATTACHED TO FRONT SIDE OF CABLE.
 5. CABLE IS ATTACHED TO THE LEFT SIDE OF TOUCHSCREEN AT CENTER POINT AS SHOWN.



UNLESS OTHERWISE SPECIFIED:
 DIMENSIONS ARE IN mm

