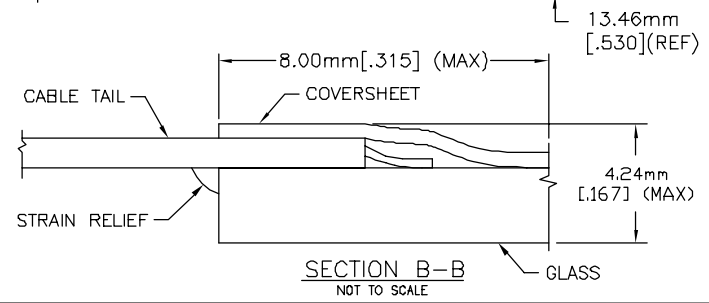
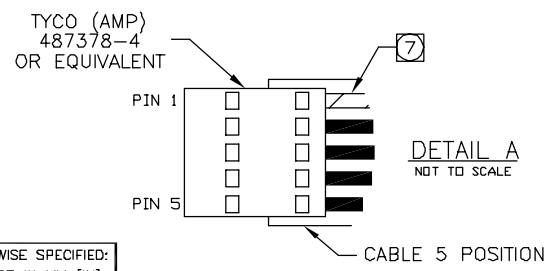
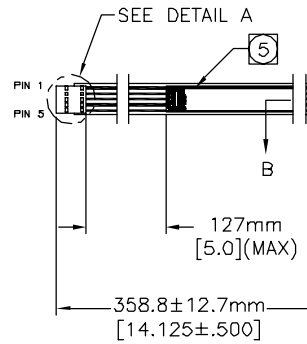
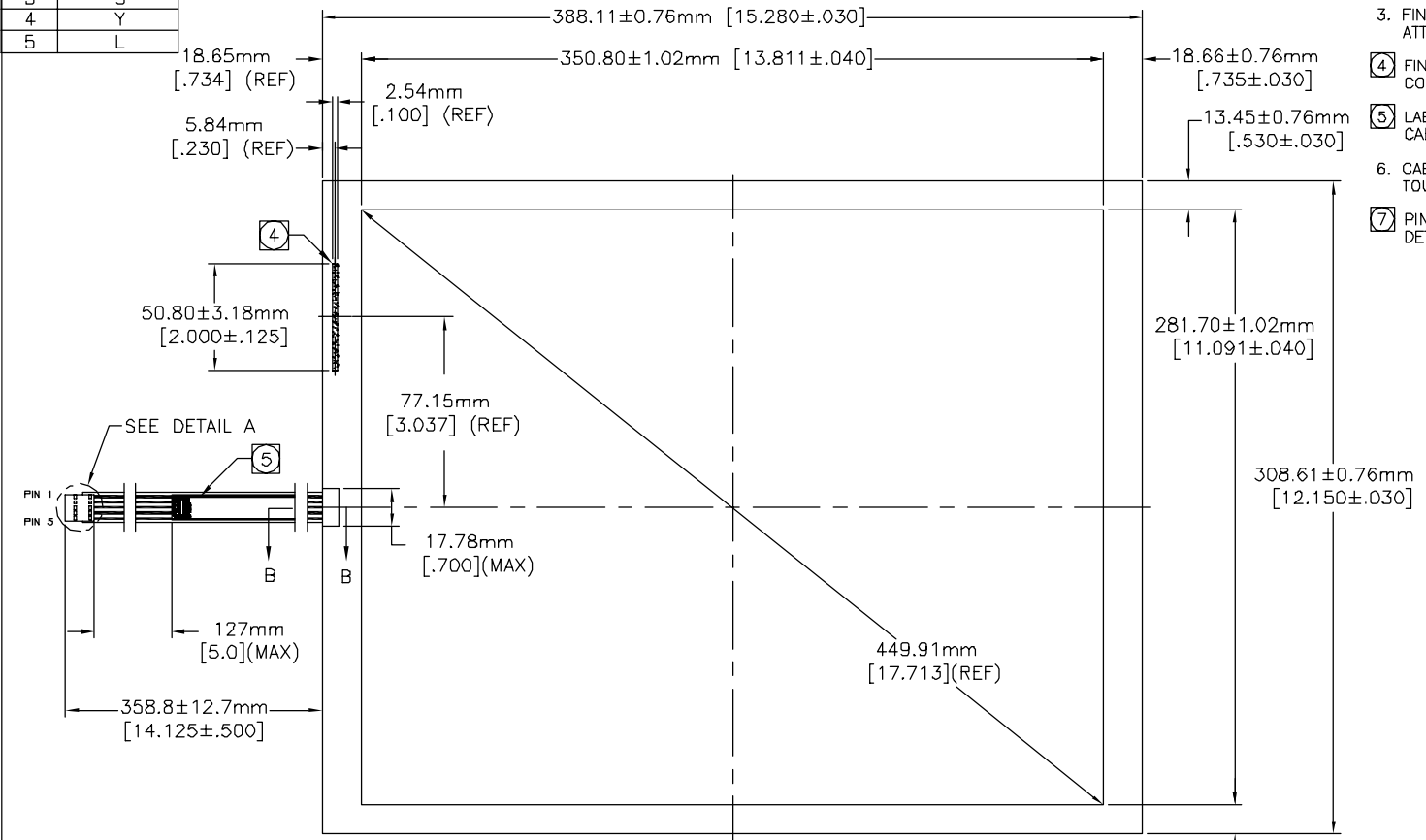


CONNECTOR PINOUT	
PIN NO	DESIGNATION
1	H
2	X
3	S
4	Y
5	L

ACCUTOUCH® TOUCHSCREEN
 SCN-AT-FLT17.5-Z01-OH1
 ELO P/N: A10145-000

- NOTES:
- GLASS THICKNESS 3.18mm [.125] NOMINAL.
 - FINISHED PART THICKNESS 3.48mm [.137] NOMINAL.
 - FINISHED PART THICKNESS AT CABLE ATTACHMENT AREA 4.24mm [.167] MAX.
 - FINISHED PART THICKNESS AT COVERSHEET CONTACT 3.86mm [.152] MAX.
 - LABEL TO BE ATTACHED TO FRONT SIDE OF CABLE.
 - CABLE IS ATTACHED TO THE LEFT SIDE OF TOUCHSCREEN AT CENTER POINT AS SHOWN.
 - PIN 1 TO BE LOCATED AS SHOWN (SEE DETAIL A).



UNLESS OTHERWISE SPECIFIED:
 DIMENSIONS ARE IN MM [IN]

