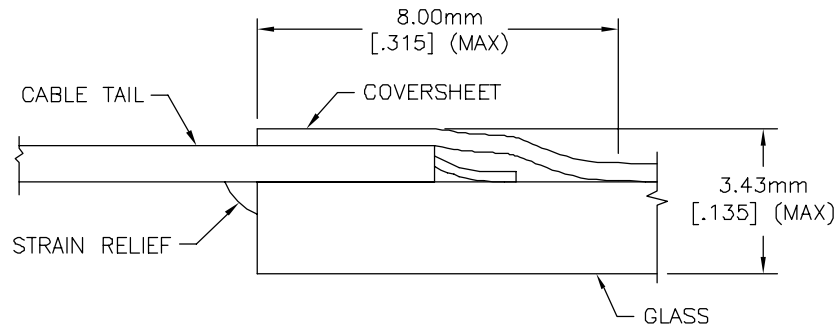
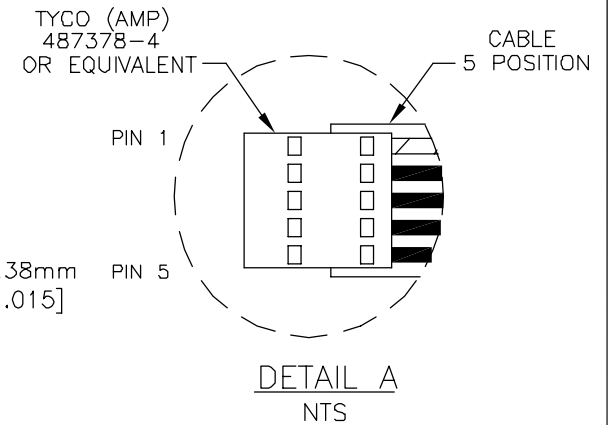
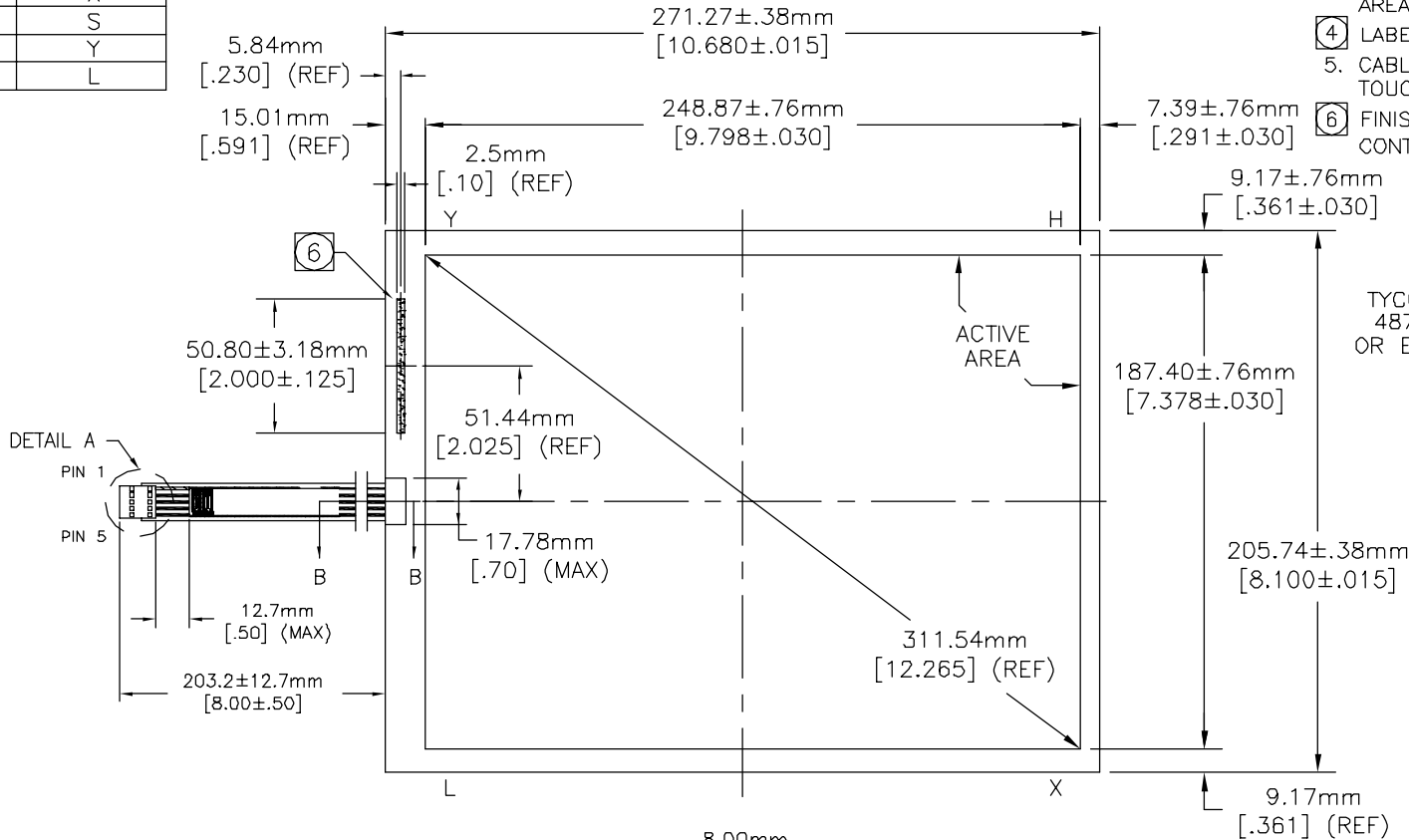


CONNECTOR PINOUT	
PIN NO.	DESIGNATION
1	H
2	X
3	S
4	Y
5	L

ACCUTOUCH® TOUCHSCREEN  
 SCN-AT-FLT12.1-Z01-0H1  
 ELO P/N: 139212-000

**NOTES:**

1. GLASS THICKNESS 2.36mm NOMINAL [.093].
2. FINISHED PART THICKNESS 2.67mm NOMINAL [.105].
3. FINISHED PART THICKNESS AT CABLE ATTACHMENT AREA 3.43mm MAX [.135].
- ④ LABEL TO BE ATTACHED TO FRONT SIDE OF CABLE.
5. CABLE IS ATTACHED TO THE LEFT SIDE OF TOUCHSCREEN AT CENTER POINT AS SHOWN.
- ⑥ FINISHED PART THICKNESS AT THE COVERSHEET CONTACT 3.05mm MAX [.120].



UNLESS OTHERWISE SPECIFIED:  
 DIMENSIONS ARE IN mm [IN]

