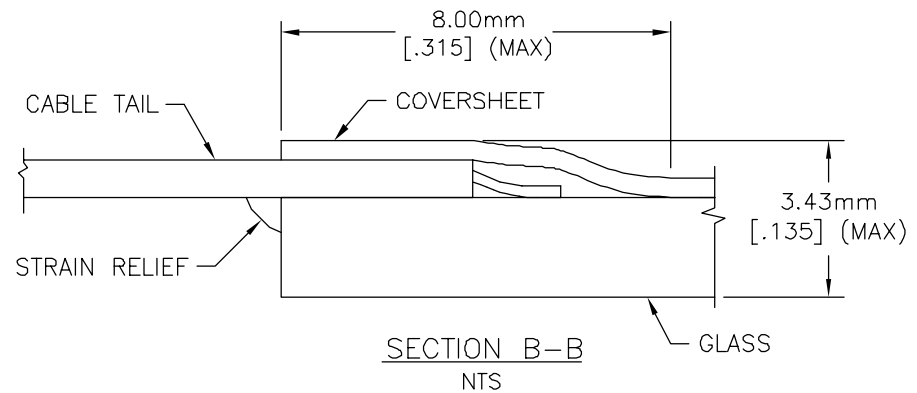
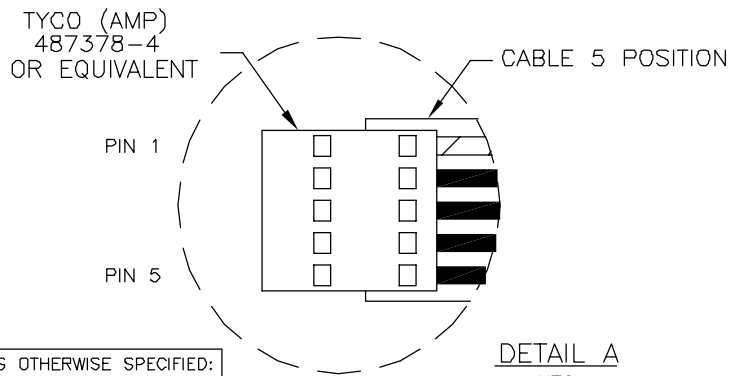
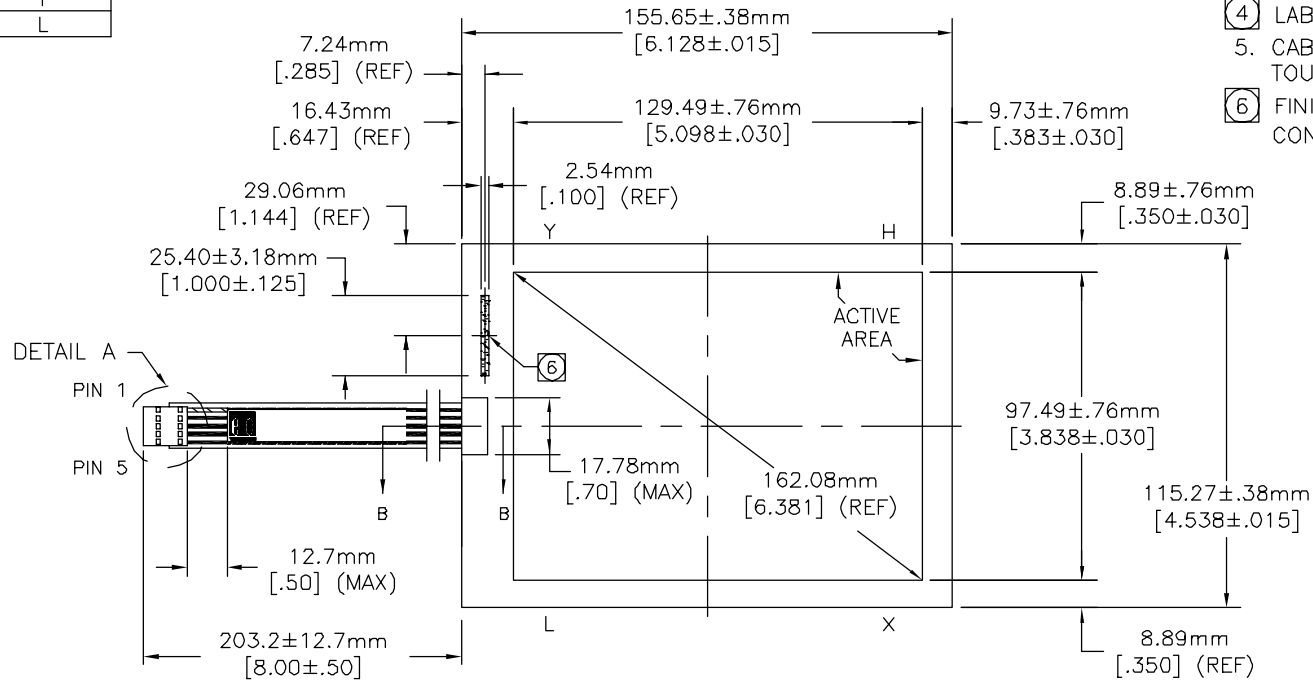


CONNECTOR PINOUT	
PIN NO.	DESIGNATION
1	H
2	X
3	S
4	Y
5	L

ACCUTOUCH® TOUCHSCREEN
SCN-AT-FLT06.4-Z02-OH1
ELO P/N: E63669-000

NOTES:

- GLASS THICKNESS 2.36mm NOMINAL [.093].
- FINISHED PART THICKNESS 2.67mm NOMINAL [.105].
- FINISHED PART THICKNESS AT CABLE ATTACHMENT AREA 3.43mm MAX [.135].
- LABEL TO BE ATTACHED TO FRONT SIDE OF CABLE.
- CABLE IS ATTACHED TO THE LEFT SIDE OF TOUCHSCREEN AT CENTER POINT AS SHOWN.
- FINISHED PART THICKNESS AT THE COVERSHEET CONTACT 3.05mm MAX [.120].



UNLESS OTHERWISE SPECIFIED:
DIMENSIONS ARE IN mm [IN]

DETAIL A
NTS

SECTION B-B
NTS

