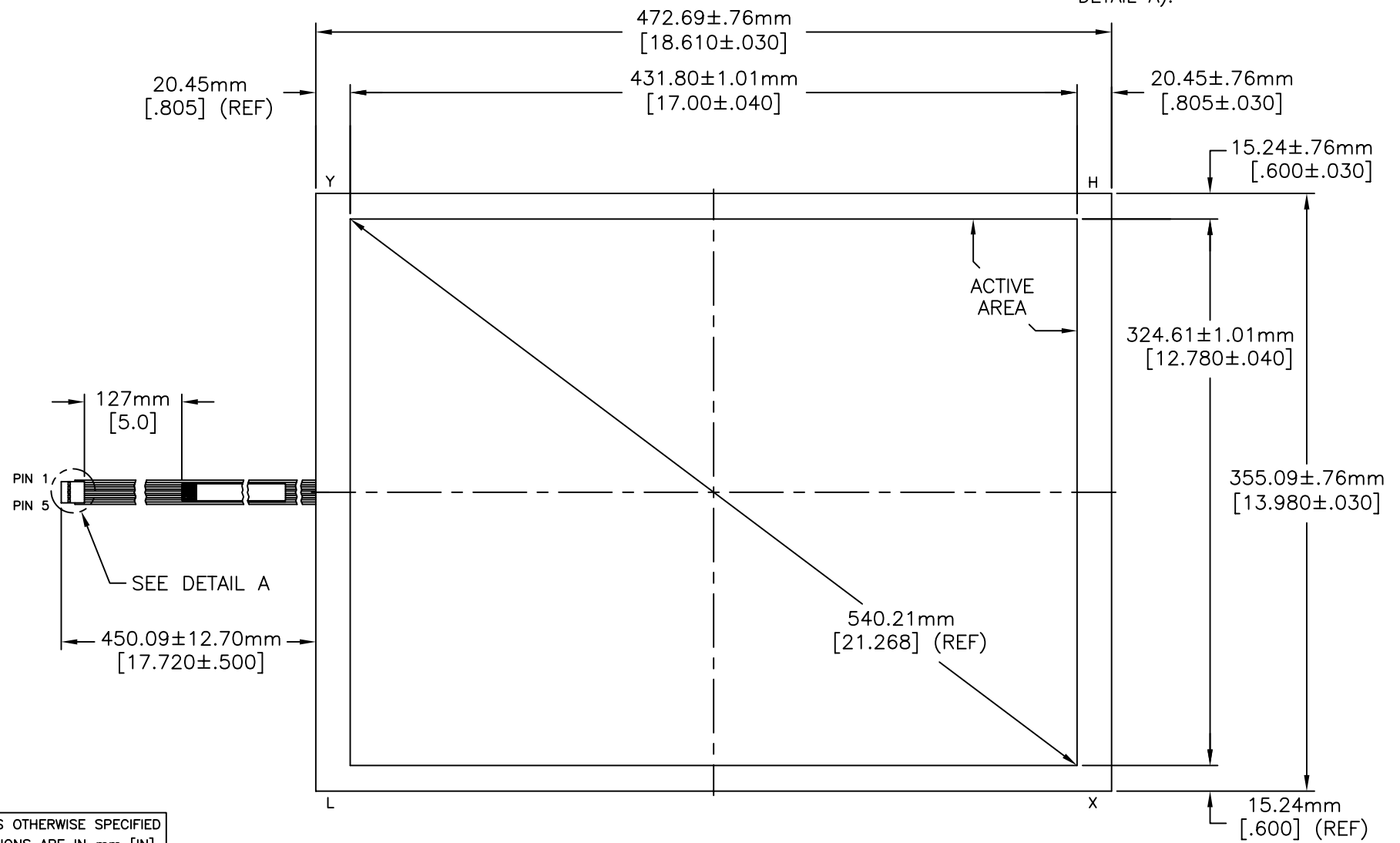
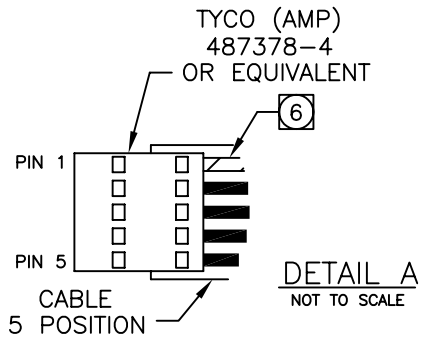


CONNECTOR PINOUT	
PIN NO.	DESIGNATION
1	H
2	X
3	S
4	Y
5	L

ACCUTOUCH® TOUCHSCREEN  
 SCN-AT-FLT21.3-001-OH1  
 ELO P/N: 731676-000

NOTES:

- GLASS THICKNESS 3.18mm [.125] NOMINAL.
- FINISHED PART THICKNESS 3.48mm [.137] NOMINAL.
- FINISHED PART THICKNESS AT CABLE ATTACHMENT AREA 4.24mm [.167] MAX.
- 4** LABEL TO BE ATTACHED TO FRONT SIDE OF CABLE.
- CABLE IS ATTACHED TO THE LEFT SIDE OF TOUCHSCREEN AT CENTER POINT AS SHOWN.
- 6** PIN 1 TO BE LOCATED AS SHOWN (SEE DETAIL A).



UNLESS OTHERWISE SPECIFIED  
 DIMENSIONS ARE IN mm [IN]

