

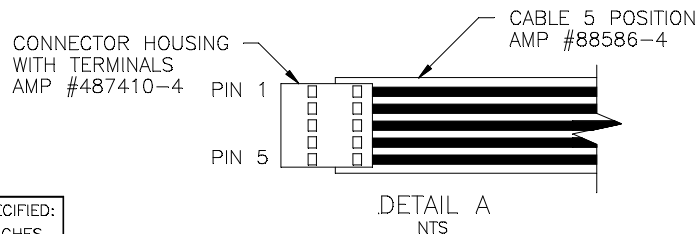
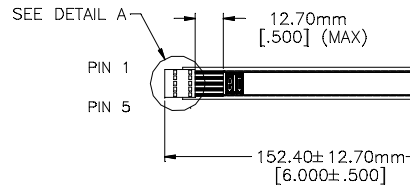
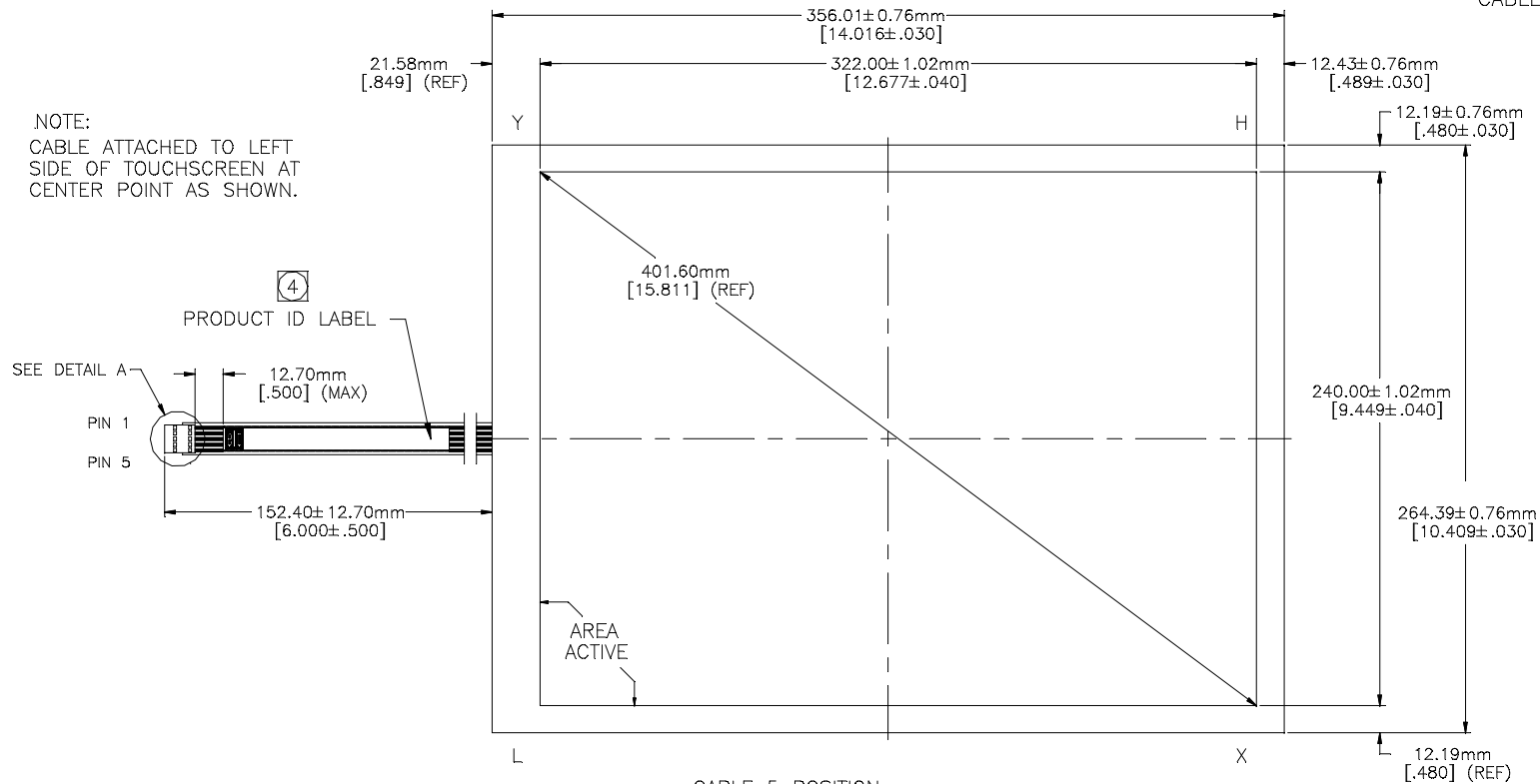
CONNECTOR PINOUT	
PIN NO.	DESIGNATION
1	H
2	X
3	S
4	Y
5	L

ACCUTOUCH® TOUCHSCREEN  
SCN-AT-FCR17.1-001-OH1

NOTES:

1. GLASS THICKNESS 3.18mm NOMINAL [.125].
2. FINISHED PART THICKNESS 3.48mm NOMINAL [.137].
3. FINISHED PART THICKNESS AT CABLE ATTACHMENT AREA 4.24mm MAX [.167].
- 4 LABEL TO BE ATTACHED TO FRONT SIDE OF CABLE.

NOTE:  
CABLE ATTACHED TO LEFT  
SIDE OF TOUCHSCREEN AT  
CENTER POINT AS SHOWN.



UNLESS OTHERWISE SPECIFIED:  
DIMENSIONS ARE IN INCHES

TOUCHSCREEN TABULATION		
PART NUMBER	TYPE	
563682-000	OH1	AG

